



90° Liquidtight Connectors

Cast Zinc



Features

- Liquidtight, raintight, oiltight
- 90° connectors
- Assembled with a die cast locknut
- Also available with insulated throat

Applications

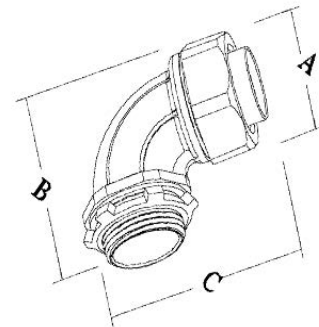
- For use with metallic and non-metallic "Type B" liquidtight conduit

Standard Material

- Zinc die cast

Certification

- UL File #: E224953



Catalog Number	UPC	Conduit Size	Box Qty	Ship Case	Weight (lb) per Box Qty	Inches		
						A	B	C
490Z	16282	3/8" 1/2" KO	25	100	4.8	1.280	1.99	2.40
491Z	16283	1/2"	25	100	5.6	1.34	2.08	2.42
492Z	16284	3/4"	10	50	3.5	1.62	2.36	2.50
493Z	16285	1"	5	25	2.5	1.92	2.19	3.08
494Z	16286	1-1/4"	2	25	3.9	2.350	3.29	3.63
495Z	16287	1-1/2"	2	10	2.0	2.63	3.72	3.98
496Z	16288	2"	5	---	10.7	3.180	4.36	4.75
497Z	16289	2-1/2"	1	---	4.0	3.520	5.20	5.60
498Z	16290	3"	1	---	5.4	4.24	5.91	6.47
499Z	16291	3-1/2"	1	---	7.1	4.880	6.57	7.33
500Z	16292	4"	1	---	9.5	5.31	6.93	7.56

Nesco Inc.

1039 Cardiff Blvd., Mississauga, ON L5S 1P4
 TF: (866) 466-3726 Tel: (905) 793-2218 Fax: (905) 793-2268
www.nescocanada.com