



# Straight Liquidtight Connectors

## Cast Zinc



### Features

- Liquidtight, raintight, oiltight
- Straight connectors
- Assembled with a die cast locknut and plastic sealing ring
- Also available with insulated throat

### Applications

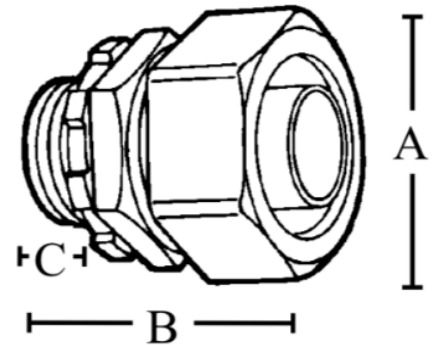
- For use with metallic and non-metallic "Type B" liquidtight conduit

### Standard Material

- Zinc die cast

### Certification

- UL File #: E224953



Catalog Number	UPC	Conduit Size	Box Qty	Ship Case	Weight (lb) per Box Qty	Inches		
						A	B	C
470Z	16271	3/8" (1/2" KO)	25	100	3.3	1.28	1.240	0.40
471Z	16272	1/2"	25	100	3.7	1.34	1.320	0.42
472Z	16273	3/4"	10	50	2.6	1.62	1.35	0.42
473Z	16274	1"	5	25	2.0	1.92	1.71	0.55
474Z	16275	1-1/4"	5	20	3.2	2.35	1.84	0.546
475Z	16276	1-1/2"	2	10	1.7	2.63	1.860	0.52
476Z	16277	2"	2	20	2.4	3.18	1.950	0.585
477Z	16278	2-1/2"	1	5	2.4	3.52	2.690	0.775
478Z	16279	3"	1	5	3.5	4.24	2.90	0.92
479Z	16280	3-1/2"	1	5	4.7	4.88	3.01	0.92
480Z	16281	4"	1	5	5.8	5.31	3.180	0.987

### Nesco Inc.

1039 Cardiff Blvd., Mississauga, ON L5S 1P4  
 TF: (866) 466-3726 Tel: (905) 793-2218 Fax: (905) 793-2268  
[www.nescocanada.com](http://www.nescocanada.com)