



possible alternative: 3SE6315-1BB01-1AP0 as of 10.2022 contact-free safety switch RFID rectangular 106 mm x 25 mm family-encoded, with M12 plug 8-pole and magnet latching 18 N delivery status: ready for operation, actuator with magnet latching 18 N, to be ordered separately: 3SE6310-1BC01

product brand name	SIRIUS
product designation	RFID safety switch
design of the product	Rectangular sensor unit
product type designation	3SE63
suitability for use safety-related circuits	Yes
General technical data	
product function	
• positive opening	No
• cross-circuit/short-circuit recognition	Yes
product feature	Family coded, with magnetic catch
type of voltage of the operating voltage	DC
protection class IP	IP65, IP67, IP69k
shock resistance according to IEC 60068-2-27	Sinusoidal half-wave 30 g / 11 ms
vibration resistance according to IEC 60068-2-6	10 ... 55 Hz: 1 mm
Substance Prohibitance (Date)	07/01/2006
Net Weight	0.112 kg
height of the sensor	22 mm
length of the sensor	106 mm
width of the sensor	25 mm
material of the active sensor area	plastic
Ambient conditions	
ambient temperature during operation	-25 ... +70 °C
Control circuit/ Control	
type of voltage	DC
operating voltage rated value	24 V
operational current rated value	600 mA
Enclosure	
material of the enclosure	plastic
material of cable sheath	PVC
Actuator	
design of the actuating element	RFID
Display	
evaluation unit required	yes
Contact	
switching frequency	1 Hz
operating distance	12 mm
assured operating distance OFF	16 mm
assured operating distance ON	10 mm
design of the switching function	positive switching

number of switching contacts for signaling function			
• safety-related	1		
Installation/ mounting/ dimensions			
fastening method	screw fixing		
Connections/ Terminals			
type of electrical connection	M12 plug, 8-pole		
wire length maximum	30 m		
Supply voltage			
supply voltage	26.4 ... 20.4 V		
Inputs/ Outputs			
output current minimum	0.5 A		
output current at safety-related output maximum	0.25 A		
design of the interface for safety-related communication	connector M12		
transmission frequency rated value	125 kHz		
Safety related data			
category according to EN 954-1	4		
ISO 13849			
performance level (PL) according to EN ISO 13849-1	e		
IEC 61508			
Safety Integrity Level (SIL) according to IEC 61508	3		
Approvals Certificates			
General Product Approval	Functional Safety	other	Environment



[Type Examination Certificate](#)

[Confirmation](#)

[Environmental Confirmations](#)

Further information

Information on the packaging

<https://support.industry.siemens.com/cs/ww/en/view/109813875>

Information for data generation and storage

<https://support.industry.siemens.com/cs/ww/en/view/109995012>

Information- and Downloadcenter (Catalogs, Brochures,...)

<https://www.siemens.com/ic10>

Industry Mall (Online ordering system)

<https://mall.industry.siemens.com/mall/en/en/Catalog/product?mlfb=3SE6315-1BB01>

Cax online generator

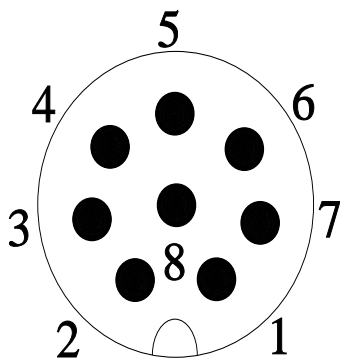
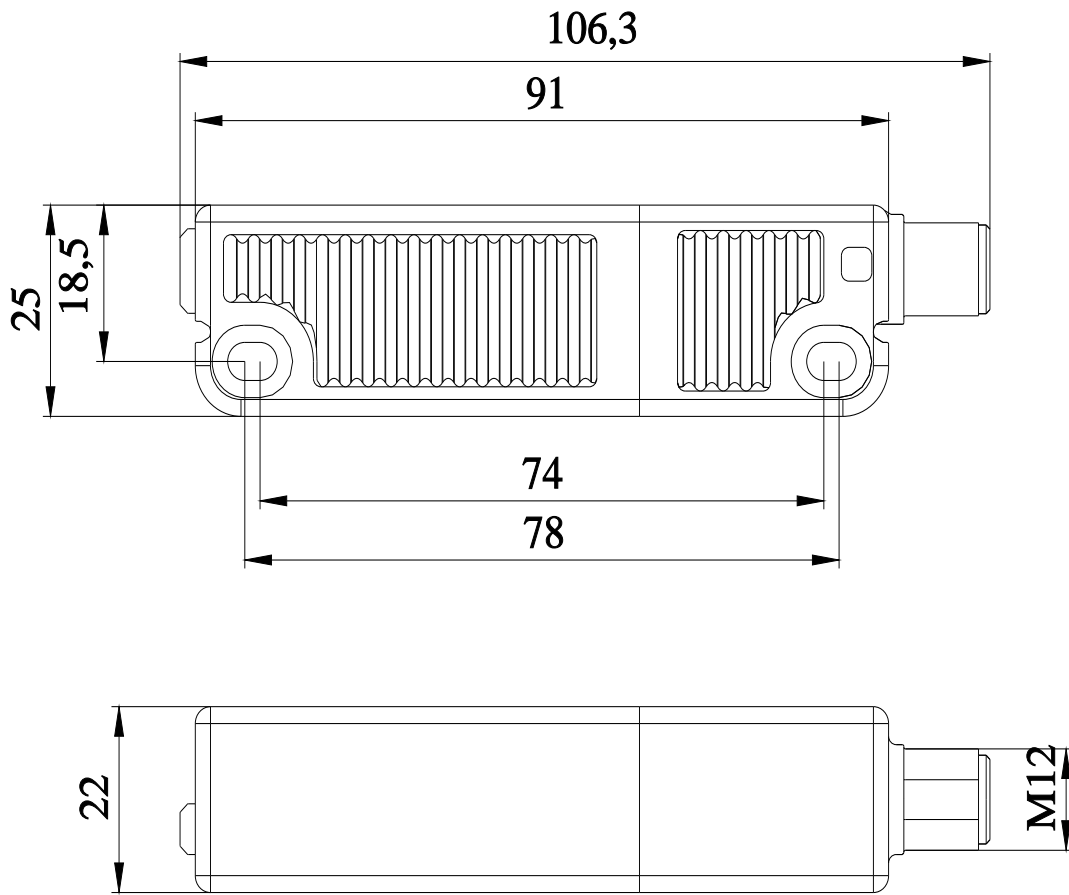
<https://support.automation.siemens.com/WW/CAXorder/default.aspx?lang=en&mlfb=3SE6315-1BB01>

Service&Support (Manuals, Certificates, Characteristics, FAQs,...)

<https://support.industry.siemens.com/cs/ww/en/ps/3SE6315-1BB01>

Image database (product images, 2D dimension drawings, 3D models, device circuit diagrams, EPLAN macros, ...)

https://www.automation.siemens.com/bilddb/cax_de.aspx?mlfb=3SE6315-1BB01&lang=en



1	WH = White	→	A1
2	BN = Brown	→	X1
3	GN = Green	→	A2
4	YE = Yellow	→	OSSD1
5	GY = Grey	→	OUT
6	PK = Pink	→	X2
7	BU = Blue	→	OSSD2
8	RD = Red	→	n. c.

