



busbar system, accessory busbar center-to-center spacing 40, 60 mm connection terminal busbar thickness: 5 mm 16-70 mm²

Model		
product brand name	SETRON	
product designation	Connecting terminal	
design of the product	Accessories	
Supply voltage		
operating voltage at AC rated value	690 V	
Dissipation		
power loss [W]	0 W	
suitability for use	for busbars 12, 15, 20, 25, 30 x 5 mm and mounting rails	
according UL		
operational current according to UL 508 rated value	175 A	
Connections		
type of connectable conductor cross-sections for AWG cables	AWG 42/0	
type of connectable conductor cross-sections for copper conductor stranded	16-70 mm ²	
type of connectable conductor cross-sections of the laminated conductor rails	Cu lam. 2x9x0.8 mm or 6x9x0.8 mm or 6x13x0.5 mm	
Mechanical Design		
net weight	71 g	
Approvals Certificates		
General Product Approval	Test Certificates	other



[Miscellaneous](#)

[Miscellaneous](#)

other	Environment
Confirmation	Environmental Confirmations
	Environmental Confirmations

Further information

Information on the packaging
<https://support.industry.siemens.com/cs/ww/en/view/109813875>
 Information- and Downloadcenter (Catalogs, Brochures,...)
<http://www.siemens.com/lowvoltage/catalogs>
 Industry Mall (Online ordering system)
<https://mall.industry.siemens.com/mall/en/en/Catalog/product?mfb=8US1921-2AD00>

Service&Support (Manuals, Certificates, Characteristics, FAQs,...)

<http://support.industry.siemens.com/cs/ww/en/ps/8US1921-2AD00>

Image database (product images, 2D dimension drawings, 3D models, device circuit diagrams, ...)

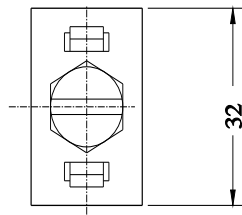
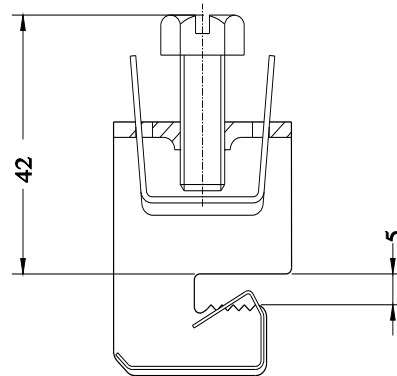
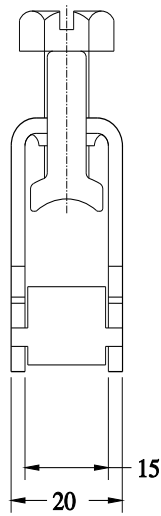
http://www.automation.siemens.com/bilddb/cax_en.aspx?mlfb=8US1921-2AD00

CAx-Online-Generator

<http://www.siemens.com/cax>

Tender specifications

<http://www.siemens.com/specifications>



last modified:

4/11/2025 

