



Bracket for base mounting, accessory for signaling columns, with diameter 70 mm

product brand name	SIRIUS	
product designation	Bracket	
design of the product	for base mounting	
General technical data		
reference code according to EN 61346-2	U	
Enclosure		
height	57 mm	
width	55 mm	
depth	76.5 mm	
material	PA	
color	black	
fastening method	base mounting	
protection class IP	IP65	
Ambient conditions		
ambient temperature during operation	-20 ... +50 °C	
Approvals Certificates		
General Product Approval	other	Environment

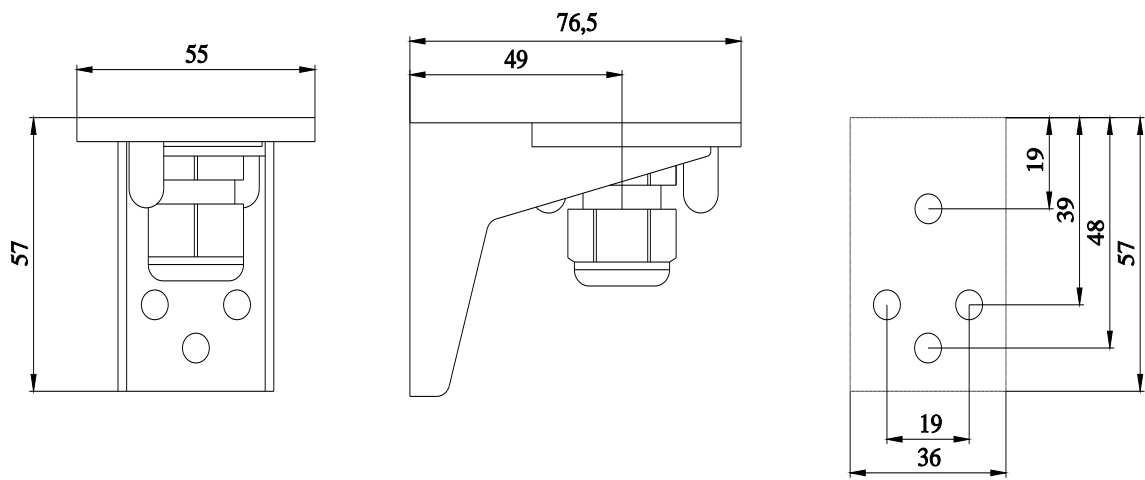


[Confirmation](#)

[Environmental Confirmations](#)

Further information

- Information on the packaging
<https://support.industry.siemens.com/cs/ww/en/view/109813875>
- Information- and Downloadcenter (Catalogs, Brochures,...)
<https://www.siemens.com/ic10>
- Industry Mall (Online ordering system)
<https://mall.industry.siemens.com/mall/en/en/Catalog/product?mlfb=8WD4408-0CD>
- Cax online generator
<http://support.automation.siemens.com/WW/CAXorder/default.aspx?lang=en&mlfb=8WD4408-0CD>
- Service&Support (Manuals, Certificates, Characteristics, FAQs,...)
<https://support.industry.siemens.com/cs/ww/en/ps/8WD4408-0CD>
- Image database (product images, 2D dimension drawings, 3D models, device circuit diagrams, EPLAN macros, ...)
http://www.automation.siemens.com/bilddb/cax_de.aspx?mlfb=8WD4408-0CD&lang=en



last modified:

4/1/2025 