

foot individually, plastic, for floor mounting, without pipe, accessory for signaling columns, with diameter 50 mm



product brand name	SIRIUS	
product designation	Foot for floor mounting	
General technical data		
reference code according to EN 61346-2	U	
Enclosure		
height	37 mm	
width	70 mm	
material	PA	
color	black	
fastening method	floor mounting	
Ambient conditions		
ambient temperature during operation	-20 ... +50 °C	
Approvals Certificates		
General Product Approval	other	Environment



[Confirmation](#)



Environment

[Environmental Con-
firmations](#)

Further information

Information on the packaging

<https://support.industry.siemens.com/cs/ww/en/view/109813875>

Information- and Downloadcenter (Catalogs, Brochures,...)

<https://www.siemens.com/ic10>

Industry Mall (Online ordering system)

<https://mall.industry.siemens.com/mall/en/en/Catalog/product?mlfb=8WD4208-0DE>

Cax online generator

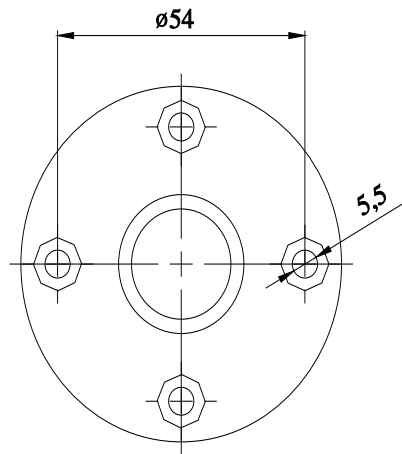
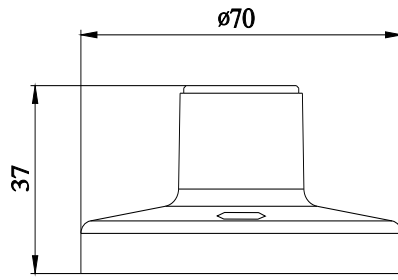
<http://support.automation.siemens.com/WW/CAXorder/default.aspx?lang=en&mlfb=8WD4208-0DE>

Service&Support (Manuals, Certificates, Characteristics, FAQs,...)

<https://support.industry.siemens.com/cs/ww/en/ps/8WD4208-0DE>

Image database (product images, 2D dimension drawings, 3D models, device circuit diagrams, EPLAN macros, ...)

http://www.automation.siemens.com/bilddb/cax_de.aspx?mlfb=8WD4208-0DE&lang=en



last modified:

4/1/2025 