

Bracket for wall mounting, for mounting on one side, without foot and pipe, accessory for signaling columns, with diameter 70 mm



product brand name	SIRIUS	
product designation	Bracket	
design of the product	for wall mounting, one side	
<b>General technical data</b>		
reference code according to EN 61346-2	U	
<b>Enclosure</b>		
width	70 mm	
depth	98.7 mm	
material	PA	
color	black	
fastening method	wall mounting	
<b>Ambient conditions</b>		
ambient temperature during operation	-20 ... +60 °C	
<b>Approvals Certificates</b>		
General Product Approval	Maritime application	other



[Confirmation](#)

**Environment**

[Environmental Confirmations](#)

**Further information**

Information on the packaging

<https://support.industry.siemens.com/cs/ww/en/view/109813875>

Information- and Downloadcenter (Catalogs, Brochures,...)

<https://www.siemens.com/ic10>

Industry Mall (Online ordering system)

<https://mall.industry.siemens.com/mall/en/en/Catalog/product?mlfb=8WD4308-0CA>

Cax online generator

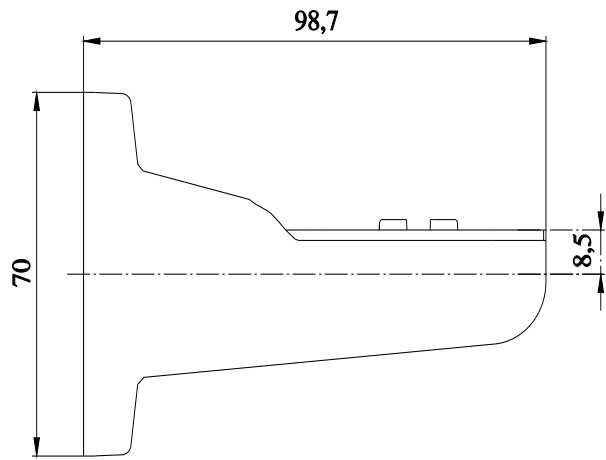
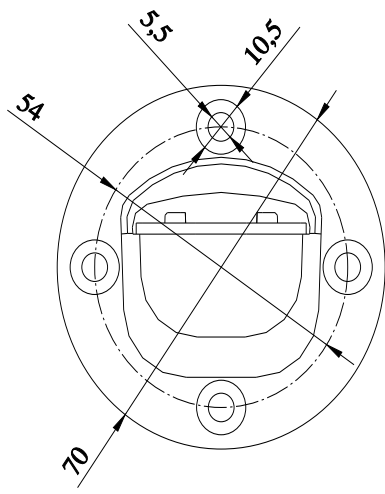
<https://support.automation.siemens.com/WW/CAXorder/default.aspx?lang=en&mlfb=8WD4308-0CA>

Service&Support (Manuals, Certificates, Characteristics, FAQs,...)

<https://support.industry.siemens.com/cs/ww/en/ps/8WD4308-0CA>

Image database (product images, 2D dimension drawings, 3D models, device circuit diagrams, EPLAN macros, ...)

[http://www.automation.siemens.com/bilddb/cax\\_de.aspx?mlfb=8WD4308-0CA&lang=en](http://www.automation.siemens.com/bilddb/cax_de.aspx?mlfb=8WD4308-0CA&lang=en)



---

last modified:

4/1/2025 