



pipe individually, Length 250 mm, accessory for signaling columns, with diameters 50 mm and 70 mm

Figure similar

product brand name	SIRIUS	
product designation	Pipe	
General technical data		
reference code according to EN 61346-2	U	
Enclosure		
height	250 mm	
width	25 mm	
material	aluminum	
color	silver	
length of the mounting tube	250 mm	
Approvals Certificates		
General Product Approval	Maritime application	other



[Confirmation](#)

Environment

[Environmental Con-
firmations](#)

Further information

Information on the packaging

<https://support.industry.siemens.com/cs/ww/en/view/109813875>

Information- and Downloadcenter (Catalogs, Brochures,...)

<https://www.siemens.com/ic10>

Industry Mall (Online ordering system)

<https://mall.industry.siemens.com/mall/en/en/Catalog/product?mlfb=8WD4308-0EA>

Cax online generator

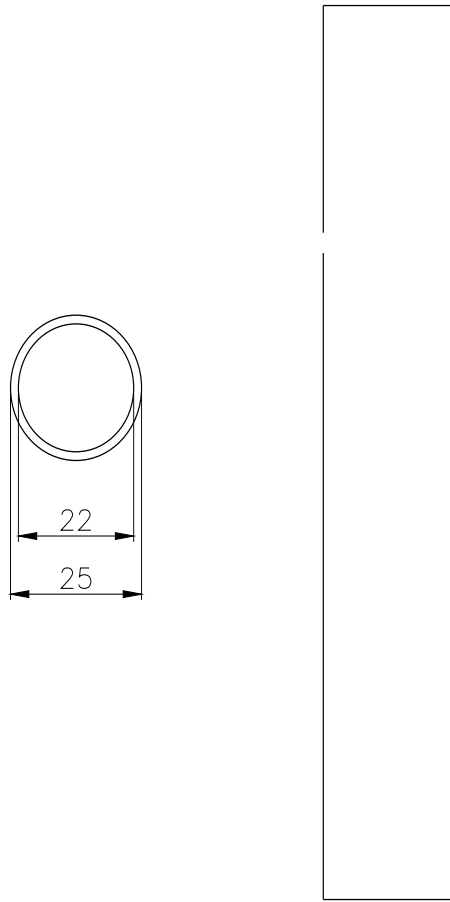
<http://support.automation.siemens.com/WW/CAXorder/default.aspx?lang=en&mlfb=8WD4308-0EA>

Service&Support (Manuals, Certificates, Characteristics, FAQs,...)

<https://support.industry.siemens.com/cs/ww/en/ps/8WD4308-0EA>

Image database (product images, 2D dimension drawings, 3D models, device circuit diagrams, EPLAN macros, ...)

http://www.automation.siemens.com/bilddb/cax_de.aspx?mlfb=8WD4308-0EA&lang=en



last modified:

4/1/2025 