



cable-operated switch metal enclosure, 2x M20 x1.5; 1 NO+1 NC, without latching, for cable lengths up to 5 m, only Bowden cable function, 55 N spring, maximum actuating force 80 N

<b>product brand name</b>	SIRIUS
<b>product designation</b>	cable-operated switch
<b>product type designation</b>	3SE7
<b>General technical data</b>	
product function EMERGENCY STOP function	No
product component light source	No
<b>insulation voltage rated value</b>	400 V
<b>degree of pollution</b>	class 3
<b>surge voltage resistance rated value</b>	6 kV
<b>protection class IP</b>	IP65
<b>mechanical service life (operating cycles) typical</b>	1 000 000
<b>thermal current</b>	6 A
<b>reference code according to IEC 81346-2</b>	S
<b>continuous current of the DIAZED fuse link gG</b>	6 A
<b>Substance Prohibitance (Date)</b>	07/01/2006
<b>Weight</b>	0.428 kg
<b>Ambient conditions</b>	
ambient temperature during operation	-25 ... +70 °C
<b>number of NC contacts for auxiliary contacts</b>	1
<b>number of NO contacts for auxiliary contacts</b>	1
<b>operational current at AC-15</b>	
• at 240 V rated value	6 A
• at 400 V rated value	6 A
<b>operational current at DC-13</b>	
• at 24 V rated value	3 A
• at 250 V rated value	0.27 A
<b>Enclosure</b>	
<b>material of the enclosure</b>	metal
<b>material of the enclosure cover</b>	Plastic
product component EMERGENCY STOP device	No
<b>color</b>	
• of the enclosure	black
• of the enclosure top part	grey
<b>coating of the enclosure</b>	painted
<b>Display</b>	
<b>product function status display</b>	No
<b>circuit principle</b>	Jump function
<b>material of the contact</b>	Silver
number of switching contacts safety-related	1
<b>cable entry type</b>	1x M20 x 1,5

Installation/ mounting/ dimensions	
fastening method	screw fixing
height	172 mm
width	53 mm
depth	43 mm

Connections/ Terminals	
type of electrical connection	screw terminal
type of connectable conductor cross-sections	
<ul style="list-style-type: none"> <li>• solid</li> <li>• finely stranded with core end processing</li> <li>• for AWG cables solid</li> <li>• for AWG cables stranded</li> </ul>	2x (0.5 ... 2.5 mm <sup>2</sup> ) 2x (0.5 ... 2.5 mm <sup>2</sup> ) 2x (20 ... 14) 2x (20 ... 14)

Safety related data	
proportion of dangerous failures with high demand rate according to SN 31920	50 %
B10 value with high demand rate according to SN 31920	100 000

Approvals Certificates	
General Product Approval	other



[Confirmation](#)

## Environment

[Environmental Confirmations](#)

## Further information

### Information on the packaging

<https://support.industry.siemens.com/cs/ww/en/view/109813875>

Information- and Downloadcenter (Catalogs, Brochures,...)

<https://www.siemens.com/ic10>

Industry Mall (Online ordering system)

<https://mall.industry.siemens.com/mall/en/en/Catalog/product?mlfb=3SE7120-2DD01>

Cax online generator

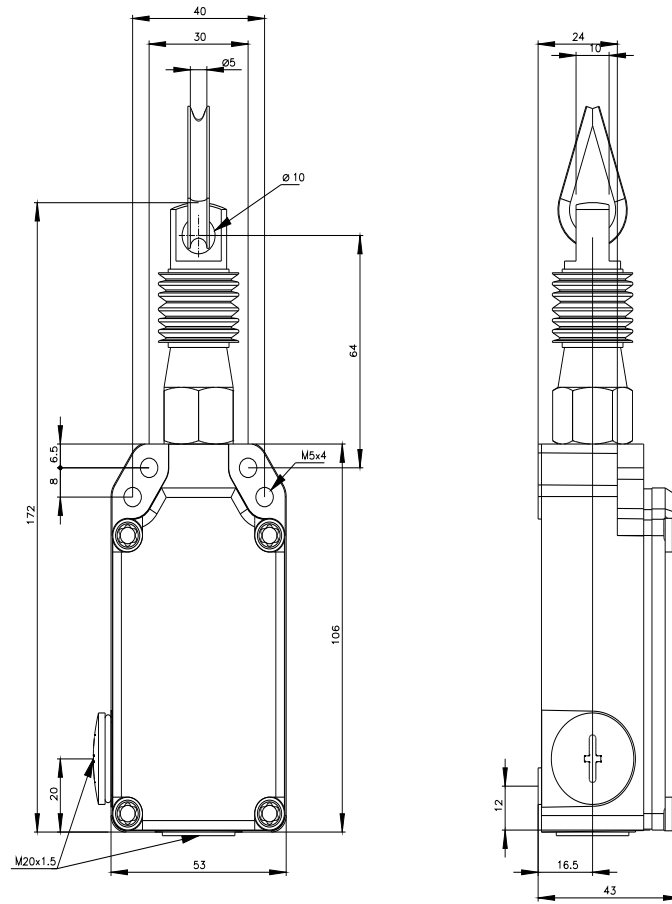
<http://support.automation.siemens.com/WWW/CAXorder/default.aspx?lang=en&mlfb=3SE7120-2DD01>

Service&Support (Manuals, Certificates, Characteristics, FAQs,...)

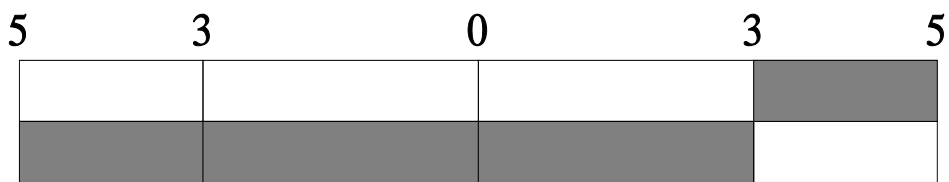
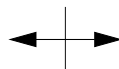
<https://support.industry.siemens.com/cs/ww/en/ps/3SE7120-2DD01>

Image database (product images, 2D dimension drawings, 3D models, device circuit diagrams, EPLAN macros, ...)

[http://www.automation.siemens.com/bilddb/cax\\_de.aspx?mlfb=3SE7120-2DD01&lang=en](http://www.automation.siemens.com/bilddb/cax_de.aspx?mlfb=3SE7120-2DD01&lang=en)



[mm]



13-14  
21-22

➔ **Betätigungsrichtung / Travel**

**Schaltglied geschlossen / Contact element closed**

**Schaltglied geöffnet / Contact element open**

