



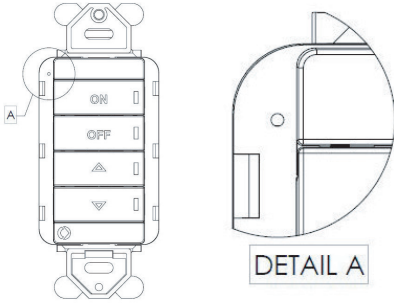
# SPODMRA SSA

## Dimming Wall Switch Installation Instructions

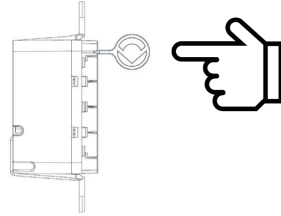


### Active Configuration Mode

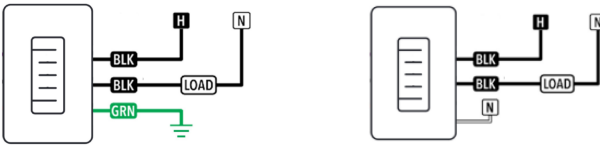
Locate the PIN hole as shown below. Insert pairing tool to start active configuration mode, which allows for pairing and setting changes directly from the switch.



**WARNING**  
Only use pre-packaged tool.  
DO NOT INSERT METAL INTO PIN HOLE!



**CONVERSION FROM GROUND ONLY:** WSXA SSA is pre-configured for wiring without neutral. If neutral is required, the unit easily converts in seconds by slipping off green sleeve.



**OUTPUT RATING** 120VAC, 800W, 6.7A; 277VAC, 1200W, 4.3A; 347VAC, 1500W, 4.3A

### OPERATIONAL SETTINGS

Pairing tool must be inserted to perform any of the below operations. Press any button on the front of the switch to enter mode.

#### 2 = Occupancy Time Detection

Maintain the same light level after occupancy was last detected. When time expires, group will enter prolong state (10% dim and off after 2.5 min). Prolong state is adjustable via app.

1 - Test Mode**	6 - 10.0 min	11 - 22.5 min	* Default Setting
2 - 30 sec	7 - 12.5 min	12 - 25.0 min	**Test mode sets Occupancy Time Delay to 30 seconds
3 - 2.5 min	8 - 15.0 min	13 - 27.5 min	and increases photocell transition rate in addition to
4 - 5.0 min	9 - 17.5 min	14 - 30.0 min	disabling the microphone on units with Dual
5 - 7.5 min*	10 - 20.0 min		Technology

#### 3 = Start Level

Level of light output when occupancy is initially detected. Not applicable in Automatic Dimming Control mode.	1 - 10%	4 - 40%	7 - 70%	10 - 100%*
	2 - 20%	5 - 50%	8 - 80%	* DEFAULT SETTING
	3 - 30%	6 - 60%	9 - 90%	

#### 4 = On Mode

- 1 - Automatic On\*: Sensor automatically turns the light on when it detects occupancy.
- 2 - Manual On: Sensor requires pressing the button to turn the light on.

#### 5 = High Trim Setting (Maximum Brightness level)

1 - 1%	3 - 20%	5 - 40%	7 - 60%	10 - 90%	11 - 100%*
2 - 10%	4 - 30%	6 - 50%	8 - 70%	9 - 80%	

#### 6 = Join

“Join” places an unpaired device to join mode allowing the device to join an existing group or initiate formation of a new group (using Join / Accept pairing method). Join mode may also be used to form 3-way connections as shown in the typical.

#### 7 = Accept

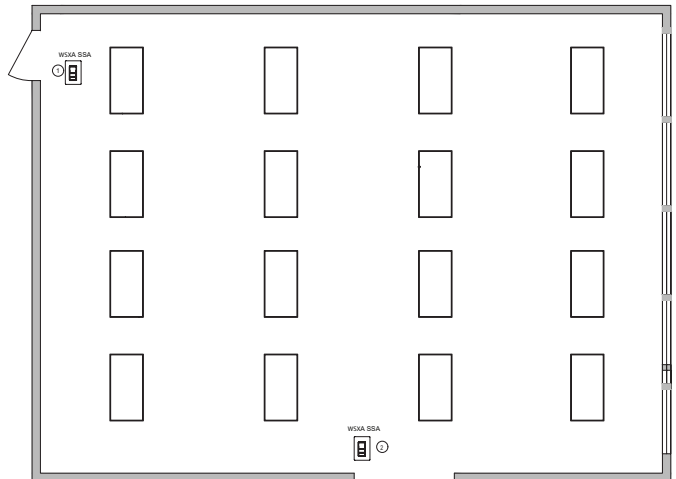
“Accept” places a paired or unpaired device into accept mode allowing the device to accept a join mode device into the group or form a new group. For group formation using Join / Accept pairing method, the accepting device becomes the configurator represented by “GM” within the app.

### PAIRING

Based on your wiring situation, there are multiple ways to pair your wall switch:

1. Power Interrupt Verification: When SensorSwitch AIR embedded or components are on the load side of the wall switch, insert the tool as shown, then press and hold any button for 6-seconds to start auto-pairing.
2. When the switch is on a different circuit, it can be accepted into a group via join / accept pairing technique. Here are the steps and LED visual indicators:
  - a) Insert pairing tool to start “active configuration mode”.
  - b) Visually, the LED in active configuration mode will double blink every second.
  - c) Press any button 6-times to place device in join mode. Visually represented by a constant LED blink.
  - d) On an existing device within the group, place that device in accept mode. Repeat steps a and b as shown above; however, press any button 7-times to start the accept mode. (see setting codes 6 and 7 for more details)
  - e) **WARNING: When using jin / accept pairing ensure other spaces are not being paired at the same time; otherwise cross pairing may occur.**
3. When pairing the switch using the Clarity+ app, use the intuitive app workflow. For more information, see Clarity+ Quick Start Guide.

### 3-Way or (Multi-Way Application);



① SETTING CODE 6 (Join a Group)

② SETTING CODE 7 (Accept New Device)

### 8 = Add Mobile Device (Clarity Pro)

Allow user to use mobile application of a pre-configured group.

### 9 = Reset PIN

Reset the PIN of a secure group

### 10 = Remove Local Device Only

1 - Do not remove 2 - Remove \* and \*\*

\* If device is the pairing device, used to form group, the group will “Restore” all devices group back to factory default. This action will un-pair all devices.

\*\* If device is not the pairing device, it will send a “Delete Node” message to the pairing device for itself and restore itself back to factory defaults. It will no longer be able to communicate with the group.

### 11 = Restore all Group Devices to Factory Default

1 - Do not remove 2 - Remove

### 12 = LOW TRIM SETTING (LOWEST DIM VALUE)

1 - 1%*	3 - 20%	5 - 40%	7 - 60%	9 - 80%	11 - 100%
2 - 10%*	4 - 30%	6 - 50%	8 - 70%	10 - 90%	

\* Low trim value is driver dependent.



# SPODMRA SSA

## Dimming Wall Switch Installation Instructions



### LED RESPONSE

SWITCH SETTING	ACTION and LED RESPONSE
<p><b>Occupancy Time Detection</b> Maintain the same light level after occupancy was last detected.</p>	<p><b>ACTION:</b> 1) Insert Tool. 2) Press any front button 2-times to enter time delay setting code. <b>LED Observation:</b> LED will blink back current setting if no additional input is given. This is done 3-times.</p> <p><b>ACTION:</b> 1) At any point, while displaying current setting, press any front button to set value. <b>LED Observation:</b> LED will blink back new setting. This is done 3-times.</p>
<p><b>Occupancy Start Level</b> Level of light output when occupancy is initially detected.</p>	<p><b>ACTION:</b> 1) Insert Tool: 2) Press any front button 3-times to desired occupied brightness start level setting code. <b>LED Observation:</b> LED will blink back current setting if no additional input in given, This is done 3-times.</p> <p><b>ACTION:</b> 1) At any point, while displaying current setting, press any front button to set value. <b>LED Observation:</b> LED will blink back new setting. This is done 3-times.</p>
<p><b>On Mode</b> Change between Occupancy and Manual On Modes.</p>	<p><b>ACTION:</b> 1) Insert Tool. 2) Press any front button 4-times to set operation mode setting code. <b>LED Observation:</b> LED will blink back current setting if no additional input in given, This is done 3-times.</p> <p><b>ACTION:</b> 1) At any setting, press any front button to set value. <b>LED Observation:</b> LED will blink back new setting. This is done 3-times.</p>
<p><b>High Trim Setting</b> Maximum Brightness</p>	<p><b>ACTION:</b> 1) Insert desired settings. 2) Press any front button 5 times. <b>LED will blink back new settings. This is done 3 times.</b></p> <p><b>ACTION:</b> 1) While blink back confirmation is occurring from prior action. 2) Insert desired settings value. <b>LED will blink back new settings. This is done 3 times.</b></p>
<p><b>Join</b> Add new wall switch device to an existing group, form; used in 3_way setup.</p>	<p><b>ACTION:</b> 1) Insert Tool into the switch that will be joining an app-lessly paired group: 2) Press any front button 6-times to enter setting option. <b>LED Observation:</b> ½ Second On, ½ Second Off, followed by rapid flash. NOTE: TIMEOUT 5-7 minutes.</p>
<p><b>Accept</b> Accept new switch into an existing group or form a new group; used in 3_way setup.</p>	<p><b>ACTION:</b> 1) Insert Tool into the switch that pairing app-less group: 2) Press any front button 7-times to enter setting option. <b>LED Observation:</b> LED will blink back setting entry followed by a rapid flash. NOTE: TIMEOUT 5-7 minutes</p>
<p><b>Add Mobile Device</b> Show app-less formed group and allow mobile device to join group.</p>	<p><b>ACTION:</b> 1) Insert Tool into app-lessly pairing wall switch: 2) Press any front button 8-times to enter setting option. <b>LED Observation:</b> ½ Second On, ½ Second Off, ½ Second On, ½ Second Off. NOTE: TIMEOUT 5-7 minutes.</p>
<p><b>Reset PIN</b> If PIN is lost used to create new PIN.</p>	<p><b>ACTION:</b> 1) Insert Tool: 2) Press any front button 9-times to enter reset PIN option. <b>LED Observation:</b> ½ Second On, ½ Second Off, ½ Second On, ½ Second Off. NOTE: TIMEOUT 5-7 minutes.</p>
<p><b>Remove Local Device Only</b> Used to remove local device. Note: Removing switch used to form group will delete entire group.</p>	<p><b>ACTION:</b> 1) Insert Tool. 2) Press any front button 10-times to enter remove local device setting option. (a.) 1-press = do not remove (b.) 2- presses = Remove device. <b>LED Observation:</b> LED will blink back current setting if no additional input is given. This is done 3-times..</p>
<p><b>Delete Group</b> Used to return all devices back to default state.</p>	<p><b>ACTION:</b> 1) Insert Tool. 2) Press any front button 11-times to enter delete group setting option. (a.) 1-press = do not remove (b.) 2- presses = Remove device. <b>LED Observation:</b> LED will blink back current setting if no additional input is given. This is done 3-times..</p>
<p><b>Low Trim Setting</b> Low Dim Value</p>	<p><b>ACTION:</b> 1) Insert desired settings. 2) Press any front button 12 times. <b>LED will blink back new settings. This is done 3 times.</b></p> <p><b>ACTION:</b> 1) While blink back confirmation is occurring from prior action. 2) Insert desired settings value. <b>LED will blink back new settings. This is done 3 times.</b></p>