

**RC-12P1N8A8300 (Order no. 073293)**

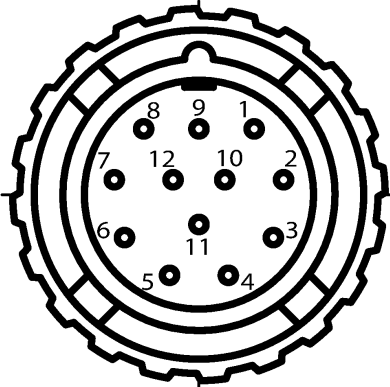
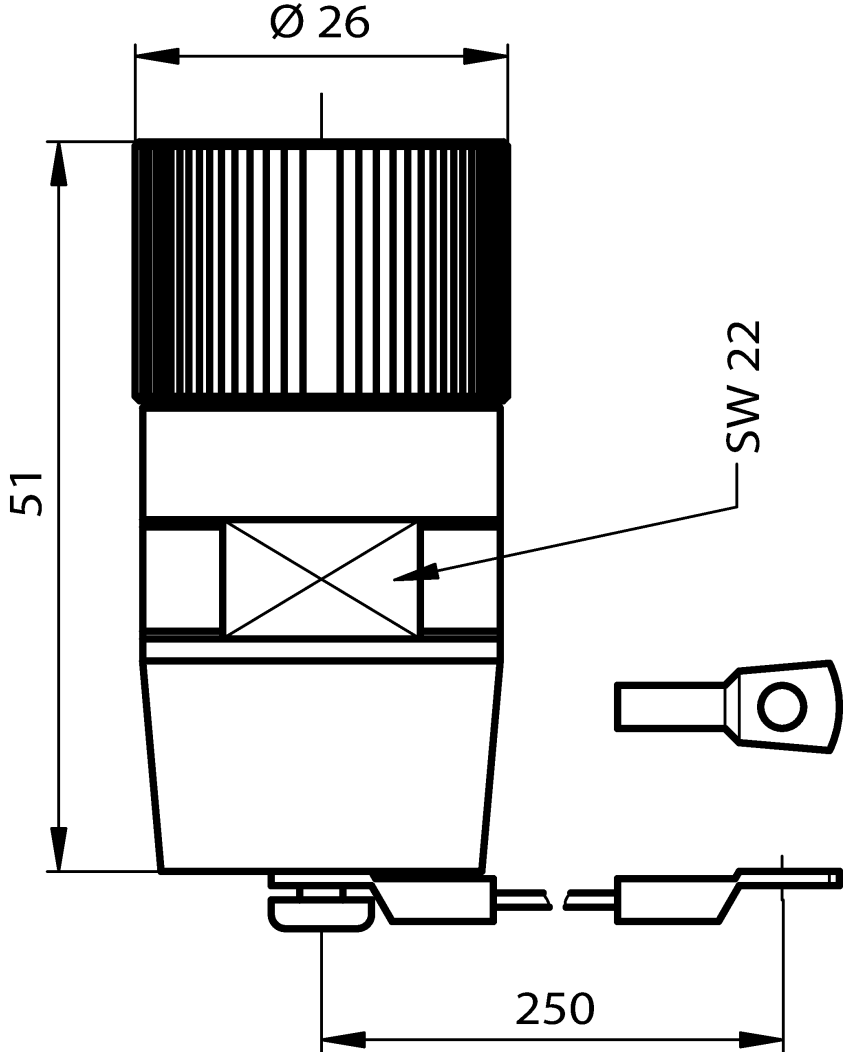
**Blanking plug RC12 for covering the flange connector RC12**



## **Blanking plug RC12**

For covering the flange connector RC12.

Dimensional drawings



## Technical data

### Electrical connection values

Connection cross section	0.14 ... 0.56 mm <sup>2</sup>
Rated voltage	150 V
Rated current I	8000 mA (per contact at 25 °C)
Screen connection	via housing connection

### Mechanical values and environment

Connection type	enclosed	Crimp contacts
Connection type		Male plug
Plug connector designation		RC12
Storage temperature		-25 ... 125 °C
Cable outlet		not available
Cable diameter		not available
Number of pins		12
Degree of protection		IP67
Plug lock		M23x1 Screw connection
Ambient temperature		-20 ... 125 °C
Material	Plug lock	Metal