

Project : \_\_\_\_\_  
 Type : \_\_\_\_\_  
 Drawn by : \_\_\_\_\_  
 Catalogue No. : \_\_\_\_\_  
 Date : \_\_\_\_\_



## Specifications

Model No.		□ DNA042CPU1-600
General	Rated Voltage	120V,60Hz
	Rated Power	600W
	Switch times	≥40000 times
	Power Supply	Live wire
	Installation Method	In-wall
	Application	Indoor
	Dimming Method	Phase-cut
	Sensor	Pyroelectric Infrared Sensor (PIR)
Load Range	Incandescent lamp	15-600W
	LED lamp	3-200W
	Low voltage halogen lamp with electronic transformer	3-200W
	CFL -- fewer than 5pcs	3-200W
	Electric resistive heat	15-600W
Physical	MOL	4.13in
	MOW	1.73in
	MOH	1.22in
	Material	Plastic+Aluminum
	Housing Color	White
	Weight (Kg)	0.79
Operating Environment	Operating Temperature	0C (32F) TO 40C(104F)
	Humidity	10% R.H.-90%R.H.
Additional Information	Stand	UL1472
	Warranty	2 years
Compliance	Safety Listing	ETL-Listed
	Location Rating	Damp
	Energy Star	No
	DLC Approved	No
	DLC ID	No

### Features & Specifications

#### Construction

- PIR sensor with Lux detection controls lamp on and off
- PIR detection range can reach 26.25ft at 3.94ft height
- Smooth dimming curve and good dimming characteristic
- High adaptability and compatibility
- Set the min and max brightness to adjust the lamp without flicker and dead route
- Press any button, can turn on the lamp when lamp is off
- With network status and multi-function indicator, include power and brightness startup and power off memory function
- Overload protection and over temperature protection
- With disconnecter to cut-off live part for safety
- Single pole or 3-Way circuit

#### Features

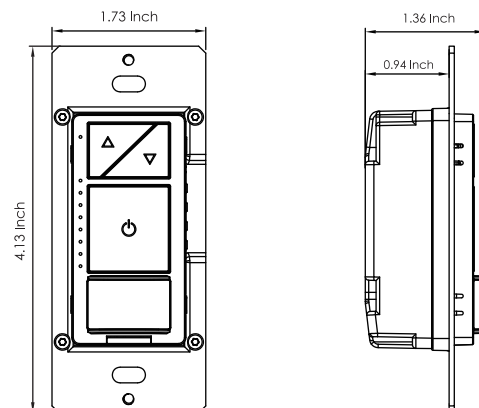
- Push button switch turn the lights ON/OFF
- The Min. and Max.brightness can be set to adjust the lamp without flicker
- Use as single pole or 3-way
- Replaces standard single switch
- Compatible with most swifch panels

#### Compliances

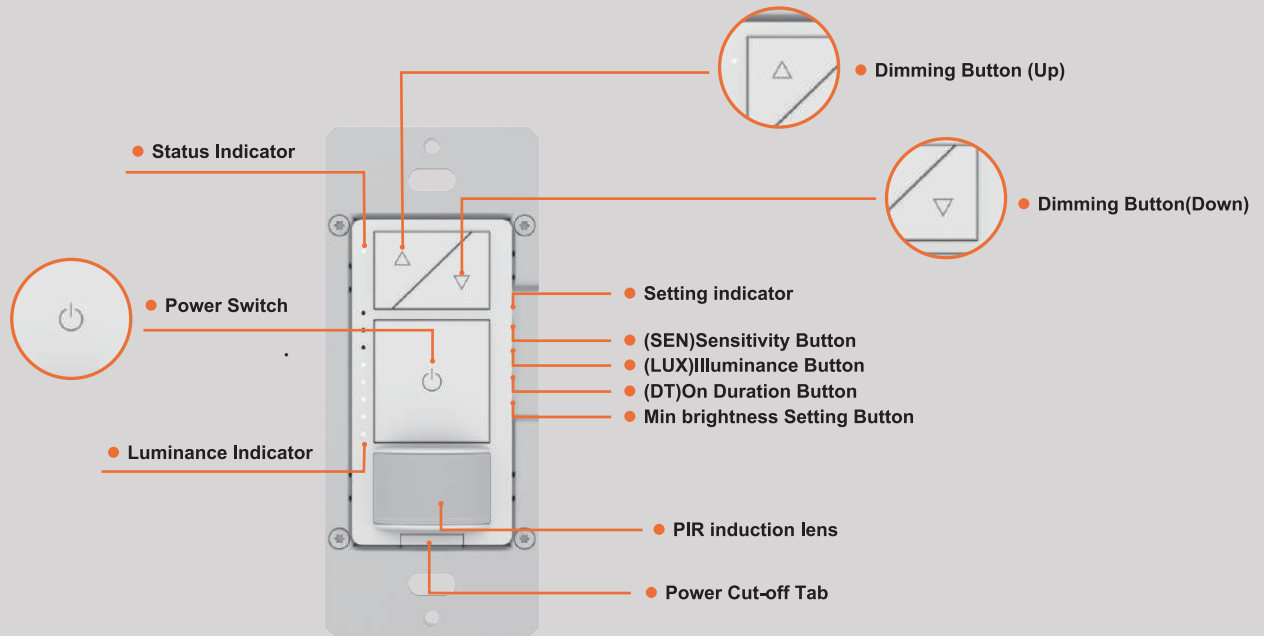
- ETL certified

### Dimensions & Weights

Model	DNA042CPU1-600
Length in.(cm)	4.13 (10.49)
Width in. (cm)	1.73 (4.39)
Height in. (cm)	1.22 (3.10)
Net weight (lbs)	0.17



### Product Details



### PIR Sensor

Part Number	Technology	Height (ft)	Detection Area (M)	Time setting (Min)	Light control (Lux)	Humidity	Temperature (°C)
<b>PIR Sensor</b>	Pyroelectric infrared Sensor (PIR)	optimum mounting height: 3.94ft	Max vertical range 8M Degree 140°	1min,5min,15min	50lux,100lux,200lux	10%R.H.-90%R.H.	0°C~+40°C (32°F~+104°F)

**NOTE :** In PIR sensor switch mode,10 seconds after manually turning the lights on or off, the PIR switch starts work.

#### DEAFULT SETTING :

PIR sensor switch mode.

PIR sensitivity: High

PIR lux: High

Delay time: 1 min

Setting the PIR Sensitivity Levels

Short press the PIR sensitivity setting button.(Automatically turns OFF if left idle for 5 seconds.)

- ① High: The setting indicator light appears red.(Default setting)
- ② Medium: The setting indicator light appears green.
- ③ Low: The setting indicator light appears blue.

Setting the PIR Lux

Short press the PIR lux setting button.(Automatically turns OFF if left idle for 5 seconds.)

- ④ High: The setting indicator light appears blue.(Default setting)
- ⑤ Low: The setting indicator light appears red.
- ⑥ Medium: The setting indicator light appears green.

