

## RPS3131SC100BHA10RL024 (Order no. 094084)

Rope pull switch with pull-to-reset button for EMERGENCY STOP device, clamping head, plug connector MR10

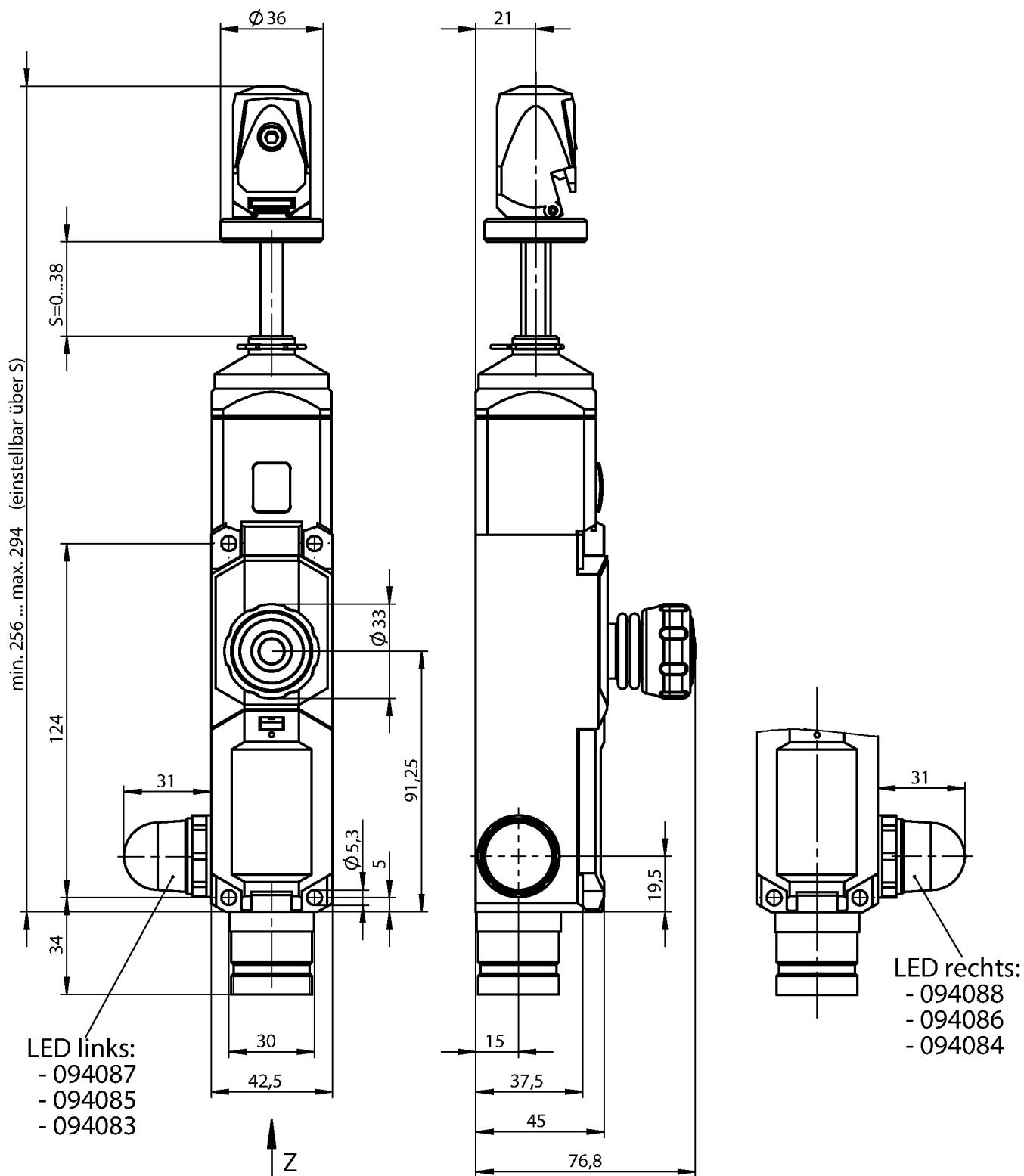
- ▶ Plastic housing
- ▶ Emergency stop device with detent mechanism as per EN ISO 13850 and EN 60947-5-5
- ▶ Clamping head for pull wire
- ▶ Indication of correct rope tension
- ▶ Plug connector MR10
- ▶ LED right
- ▶ Switching elements with 4 switching contacts
- ▶ Emergency stop



### Switching element

3131 Slow-action switching contact 2 NC  $\ominus$  + 2 NO

## Dimensional drawings



Connection examples

