

ZSA2A2G05A (Order no. 055406)

ZSA, 3-stage with cable

- ▶ Housing G1
- ▶ 3-stage function
- ▶ Straight connecting cable, 5 m



Switching element

210 2 NO + 1 NC \rightarrow

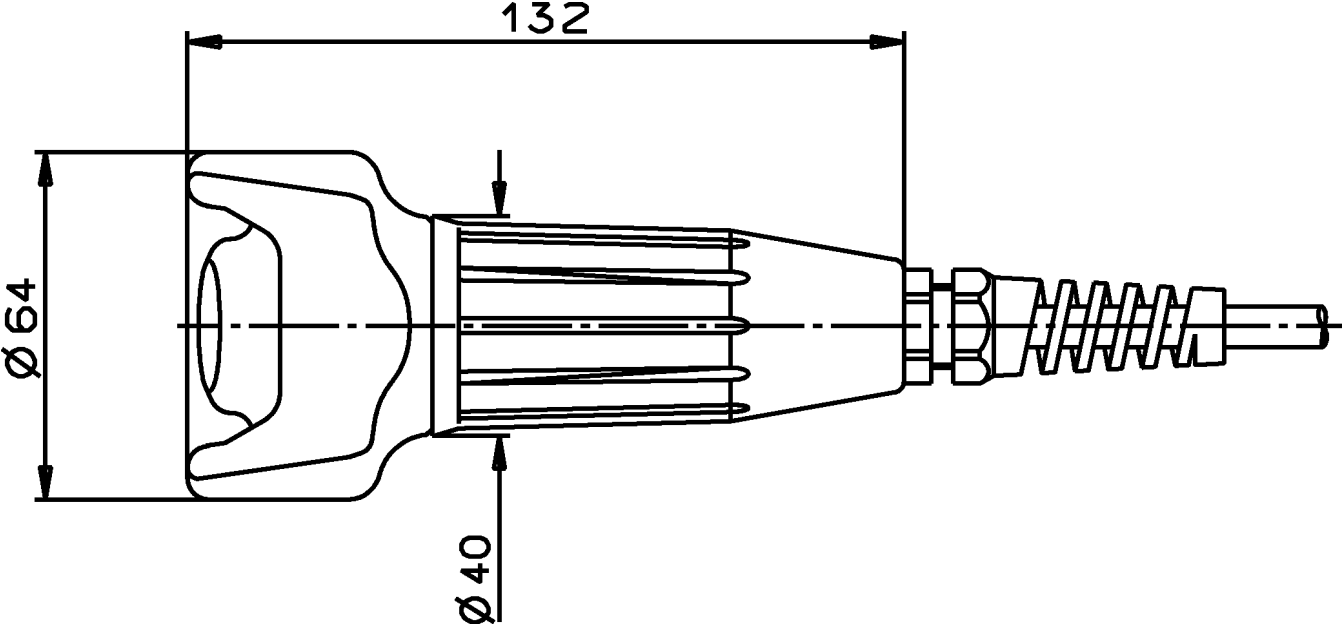
Cable

The high-quality connecting cables (individual screening of the safety contacts) are available in a straight version.

3-stage function

Enabling function is active only in the second stage (center position, actuating point). If the pushbutton is released or pushed further (panic function), the enabling is removed (dependent on the wiring, see function sequence).

Dimensional drawings



Connection examples

