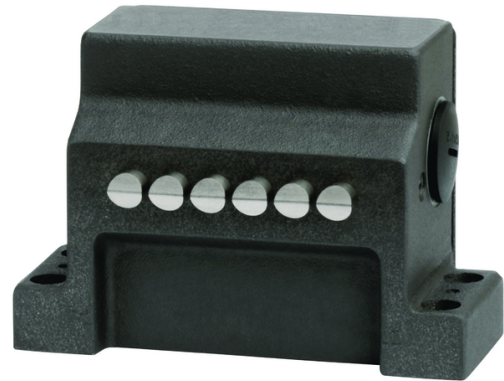


## GLBF02D12-514-M (Order no. 089510)

### Series GLBF... 12 mm, mechanical

- ▶ Plunger spacing 12 mm
- ▶ Horizontal housing
- ▶ Degree of protection IP67 according to IEC 60529

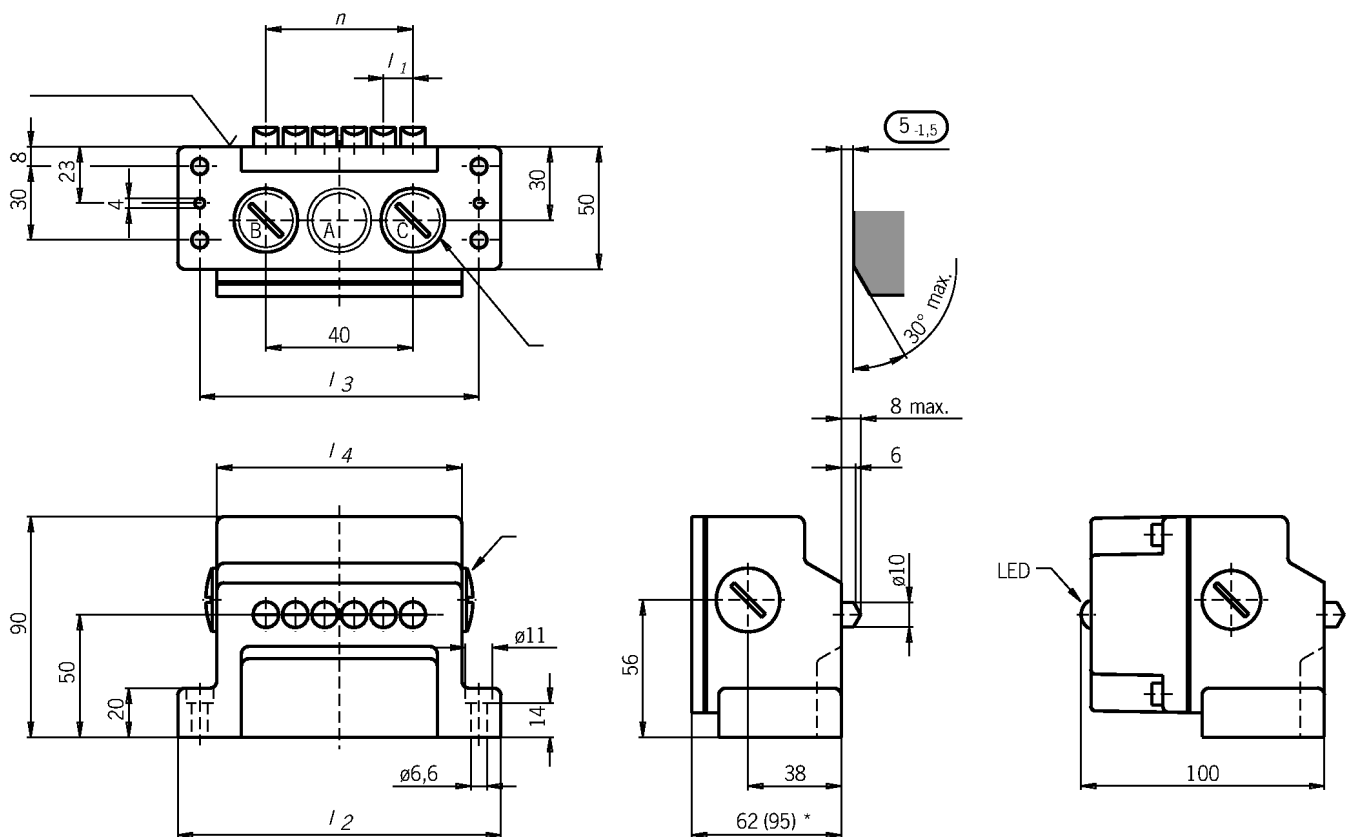


### Switching element

ES 514 Snap-action switching contact 1 NC  $\rightarrow$  + 1 NO

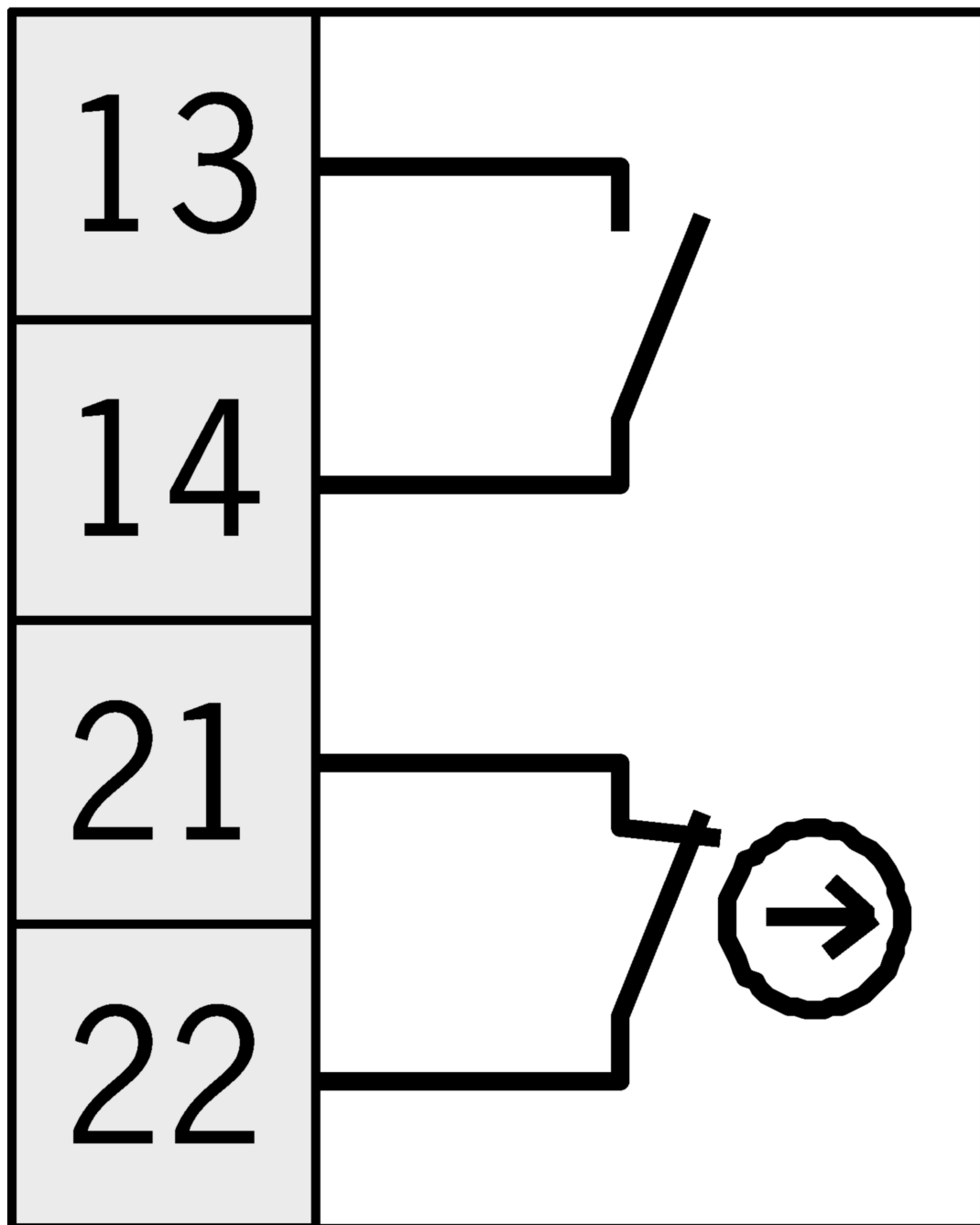
On the usage of safety switching elements, the dog distance  $\textcircled{4-0.5}$  must be maintained to achieve the positively driven travel. The dogs must be positively mounted according to EN ISO 14119, i.e. riveted, welded or secured in some other way against becoming loose.

### Dimensional drawings



Connection examples

# ES 514



## Technical data

### Approvals



### Electrical connection values

Fuse	max. 6 A gG	
Connection cross section	0.34 ... 1.5 mm <sup>2</sup>	
Rated insulation voltage U <sub>i</sub>	250 V	
Rated impulse voltage U <sub>imp</sub>	4 kV	
Utilization category		
	DC-13	6 A 24 V
	AC-15	2.5 A 230 V
Switching current		
	min. at DC 24V	min. 5 mA
thermal rated current I <sub>th</sub>	10 A	

### Mechanical values and environment

Anfahrsgeschwindigkeit	0.01 ... 40 m/min	
Connection type		
	3 x	M25 x 1.5
Number of switching elements	2	
Number of NO contacts	2	
Number of positively driven contacts	2	
Design	horizontal	
Actuating element	Chisel plunger	
Actuating force	min. 30 N	
Installation orientation	any	
Storage temperature	-25 ... 80 °C	
Mechanical life	1 x 10 <sup>6</sup>	
Switching principle	Snap-action switching contact	
	(Contact closing time ≤ 5 ms, contact bounce time ≤ 3 ms)	