

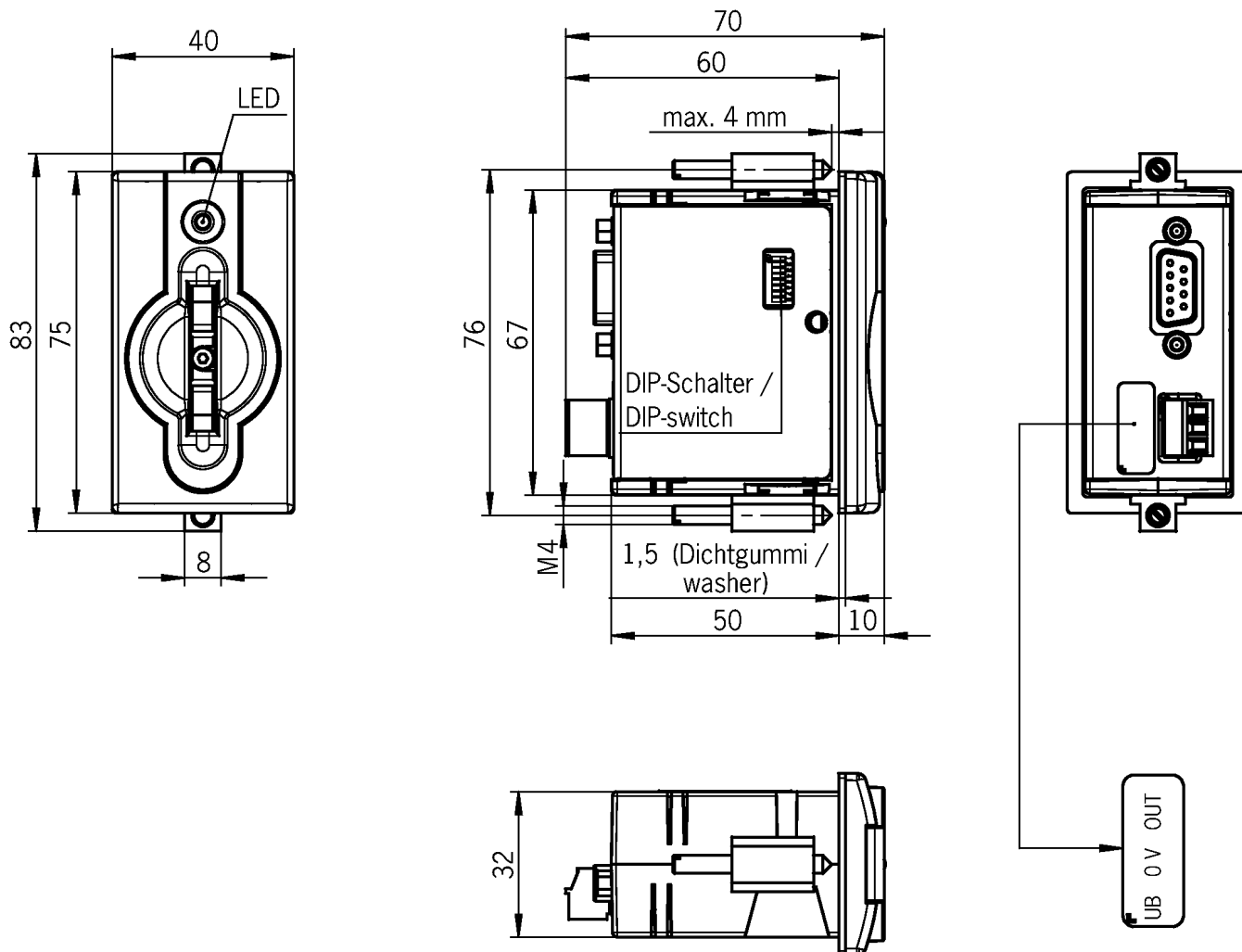
## **EKS-A-ISX-G01-ST09/03 (Order no. 084750)**

### **Electronic-Key adapter with serial interface**

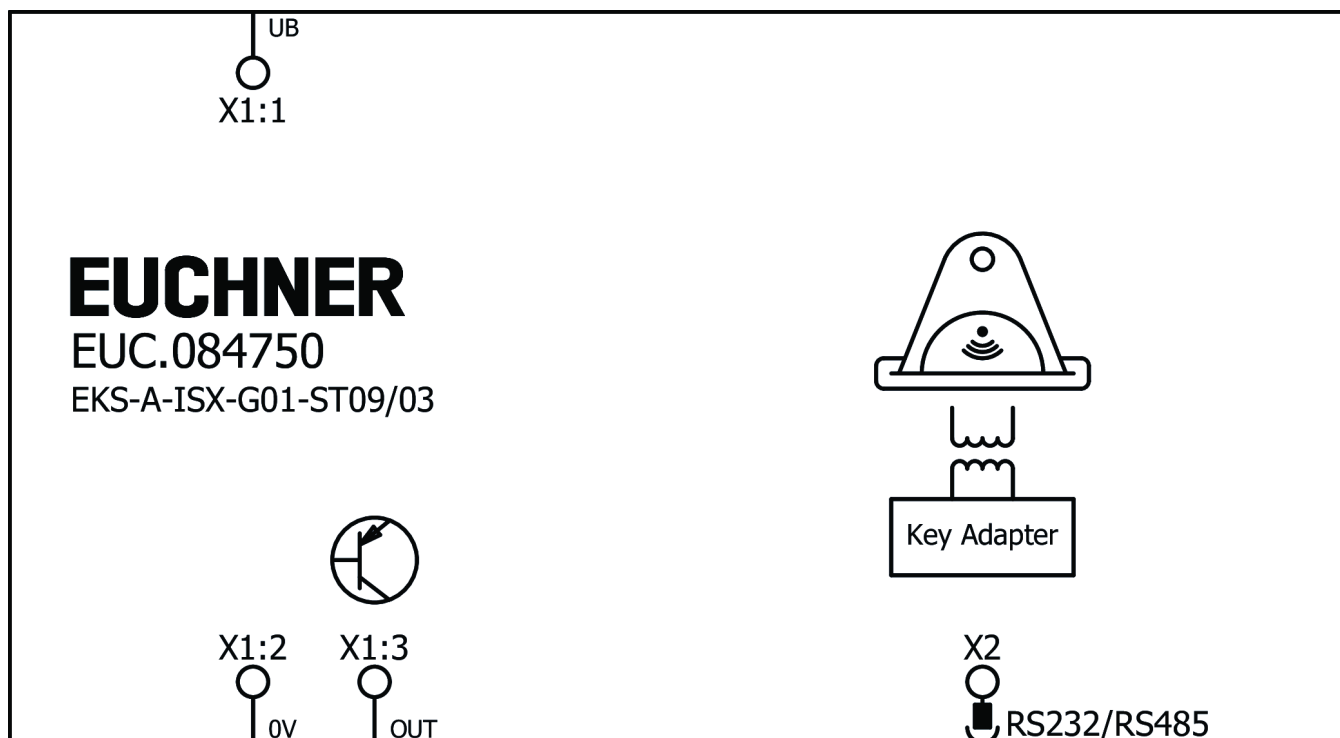
- ▶ Electronic-Key adapter with serial interface RS232/RS422 in housing G01
- ▶ Read/write system
- ▶ Electronic-Key adapter and electronics in one housing
- ▶ Transfers the data from the Electronic-Key to a control system for processing
- ▶ Connection to PC or PLC
- ▶ Open communication commands at the lowest level
- ▶ 3964R protocol
- ▶ Connection to the user software possible via ActiveX® module under Windows®
- ▶ Very reliable retention of the Electronic-Key, even if there is heavy vibration
- ▶ Degree of protection: IP65/IP67 (installed)
- ▶ LED indicator



## Dimensional drawings



## Connection examples



## Technical data

### Approvals



### Operating and display elements

LED display

yellow	Key in actuating range
green	operational

### Electrical connection values

Power supply	
Output current	max. 30 mA OUT output at 24V
Operating voltage DC	20 ... 24 ... 28 V DC
Current consumption	max. 100 mA

### Mechanical values and environment

Installation orientation	on the front
Storage temperature	-25 ... 70 °C
Mounting cut-out	33 x 68 mm
Degree of protection	IP67
Ambient temperature	0 ... 55 °C

Material

Housing	PA6-GF30, gray
---------	----------------

Interface, data transfer	
Connection type	D-Sub, 9-pin, RS232/RS422 can be selected via DIP switches
Cable length	5 m with RS232, 1,000 m with RS422

### Interface

Interface, data transfer	
Data protocol	3964R via RS232/RS422
Data rate	9600 ... 28800 kbit/s selectable via DIP switches