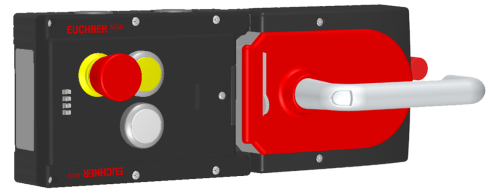


MGB-L1HE-ARA-R-110220 (Order no. 110220)

Locking set MGB-L1HE-ARA..., (guard locking by spring force) with 2 pushbuttons, emergency stop

- ▶ Guard locking with guard lock monitoring
- ▶ Can be connected in series with other AR devices (e.g. CES-AR and CET-AR)
- ▶ Emergency stop according to ISO 13850
- ▶ 2 pushbuttons (illuminated, ye, wh)
- ▶ With cable entry
- ▶ With escape release
- ▶ Unicode



Guard locking type

MGB- The locking arm is held in the locked position by spring force and is unlocked by solenoid force
 L1... (closed-circuit current principle, mechanically locked).

Door hinge

A mechanical door stop is permanently integrated into the evaluation module of the MGB. A marking on the stop makes adjustment easier.

LED indicator

The LED indicator indicates all important system and status information.

Monitoring outputs

- OD ON when the door is closed
- OT Bolt tongue inserted into the evaluation module
- OL Guard locking solenoid in locked position
- OI Diagnostics; there is a fault

Emergency stop device

S1 2 positively driven contacts and 1 NO contact (e.g. monitoring contact), emergency stop with turn-to-reset, not illuminated

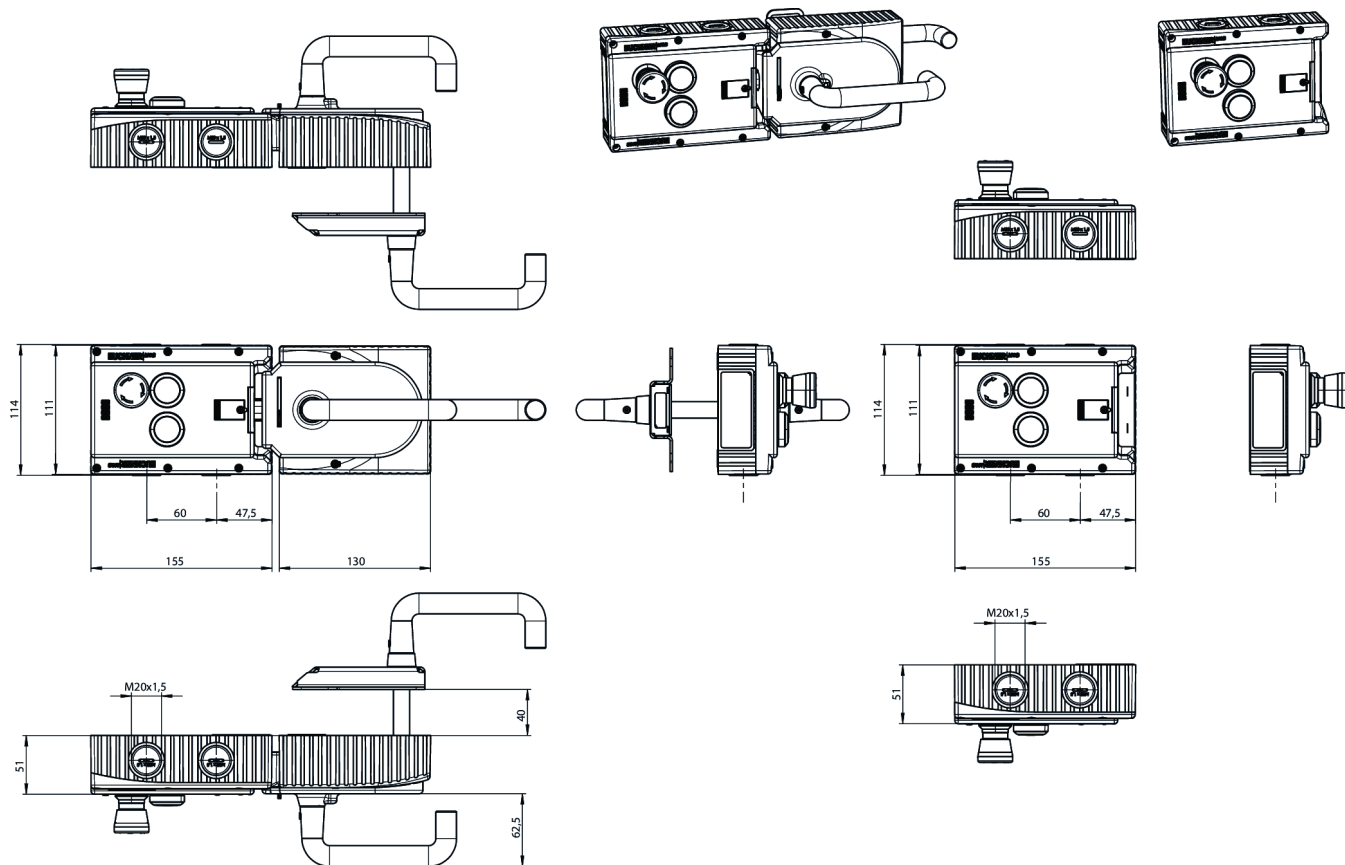
Pushbuttons

- S2 1 NO contact, yellow, illuminated
- S3 1 NO contact, white, illuminated

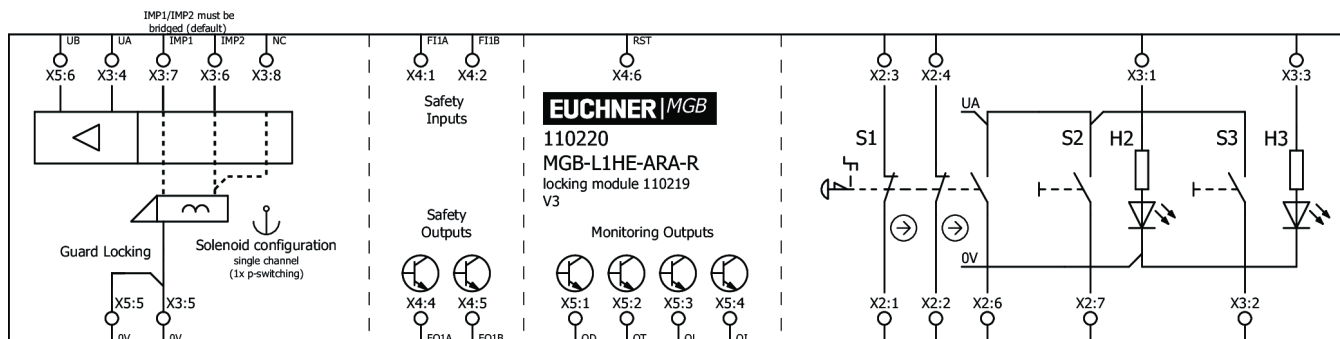
Escape release

The escape release enables people accidentally shut in to open the guard locked door from the danger zone.

Dimensional drawings



Connection examples



Components



100464

MGB-H-AA1A1-R-100464

Handle module MGB-H-...

- ▶ Intelligent bolt tongue
- ▶ Lockout mechanism
- ▶ Door handle



100465

MGB-E-A-100465

Escape release MGB-E-A...

- ▶ Escape release from the danger zone
- ▶ Signal red door handle
- ▶ Designed for door profiles up to 40 mm
- ▶ Extended actuation axis for thicker doors (available optionally)



110219

MGB-L1-ARA-AB8A1-M-110219

Locking module MGB-L1-ARA..., (guard locking by spring force) with 2 pushbuttons, emergency stop

- ▶ Guard locking with guard lock monitoring
- ▶ Can be connected in series with other AR devices (e.g. CES-AR and CET-AR)
- ▶ Emergency stop according to ISO 13850
- ▶ 2 pushbuttons (illuminated, ye, wh)
- ▶ With cable entry
- ▶ Unicode