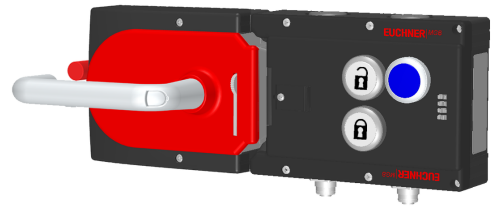


MGB-L1HE-APA-L-156003 (Order no. 156003)

Locking set MGB-L1HE-APA..., (guard locking by spring force) with 3 pushbuttons, 2 x M12

- ▶ Guard locking with guard lock monitoring
- ▶ 3 pushbuttons (illuminated, bu wh, wh)
- ▶ With plug connector M12, 5-pin
- ▶ With plug connector M12, 8-pin
- ▶ With escape release
- ▶ Unicode
- ▶ Connection for Bihl-Wiedemann modules BW 3376 and BW 3377



Guard locking type

MGB- The locking arm is held in the locked position by spring force and is unlocked by solenoid force
L1... (closed-circuit current principle, mechanically locked).

Door hinge

A mechanical door stop is permanently integrated into the evaluation module of the MGB. A marking on the stop makes adjustment easier.

LED indicator

The LED indicator indicates all important system and status information.

Monitoring outputs

OT Bolt tongue inserted into the evaluation module

OI Diagnostics; there is a fault

Pushbuttons

S1 1 NO contact, illuminated

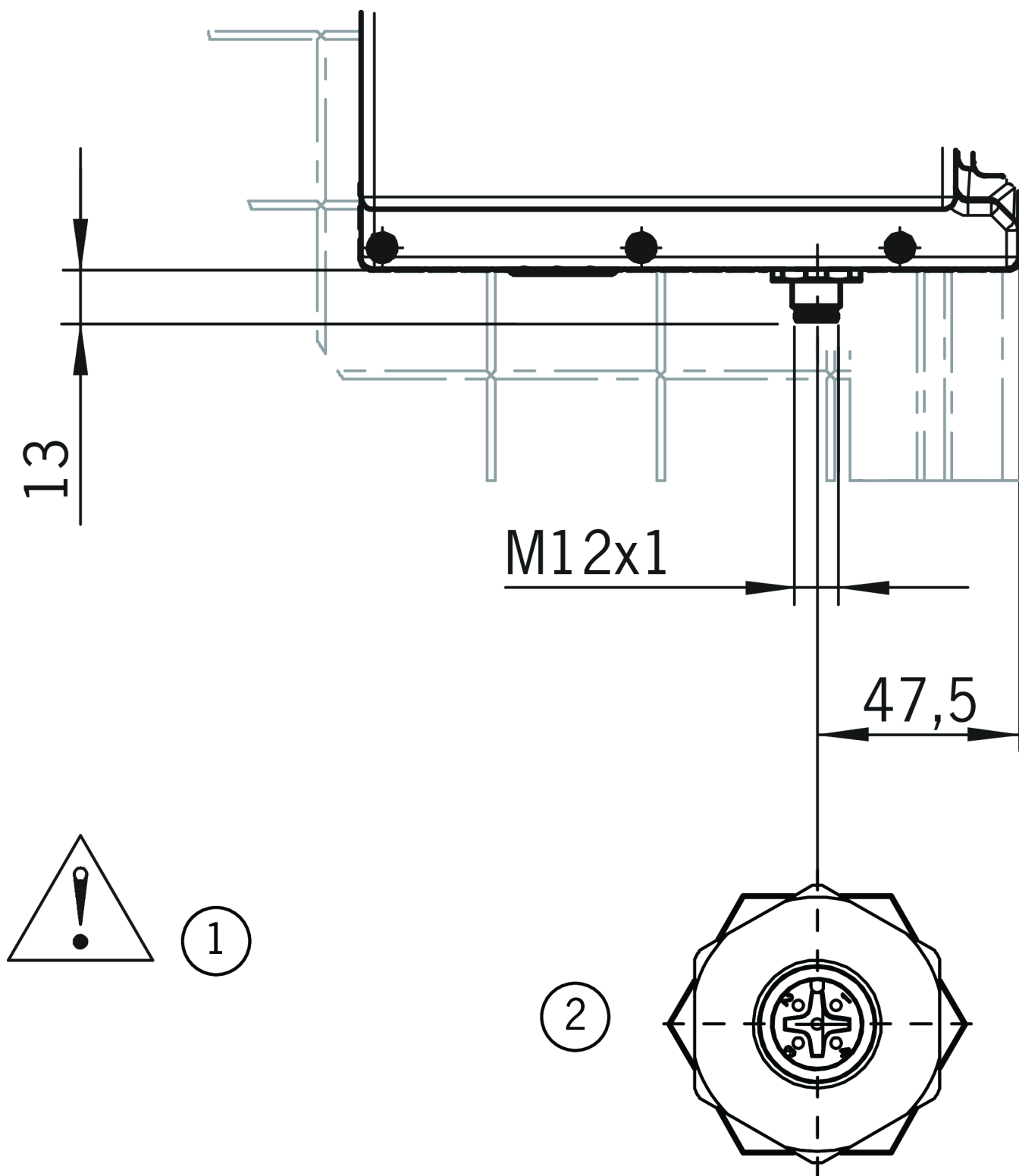
S2 1 NO contact, illuminated

S3 1 NO contact, illuminated

Escape release

The escape release enables people accidentally shut in to open the guard locked door from the danger zone.

Dimensional drawings



1 Plug connector current rating: max. 1.5 A

2 Built-in connector not aligned

Dimensional drawings

