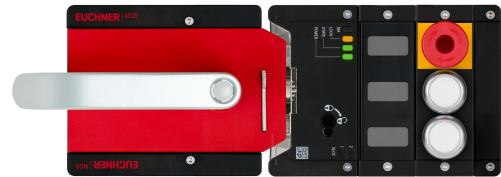


## MGB2-L1H-MLI-U-DA-L-162535 (Order no. 162535)

### Locking set MGB2-L1... (2 pushbuttons, emergency stop, closed-circuit current principle, door hinge on left)

- ▶ Guard locking with guard lock monitoring
- ▶ Illuminated emergency stop according to ISO 13850
- ▶ 2 illuminated pushbuttons
- ▶ Adjustable door hinge; factory setting: left
- ▶ Unicode
- ▶ For connection to any bus module MBM
- ▶ Remote or direct mounting of bus module MBM



### Guard locking type

MGB2- Guard locking by spring force. Release by applying voltage to the guard locking solenoid.  
L1... (closed-circuit current principle)

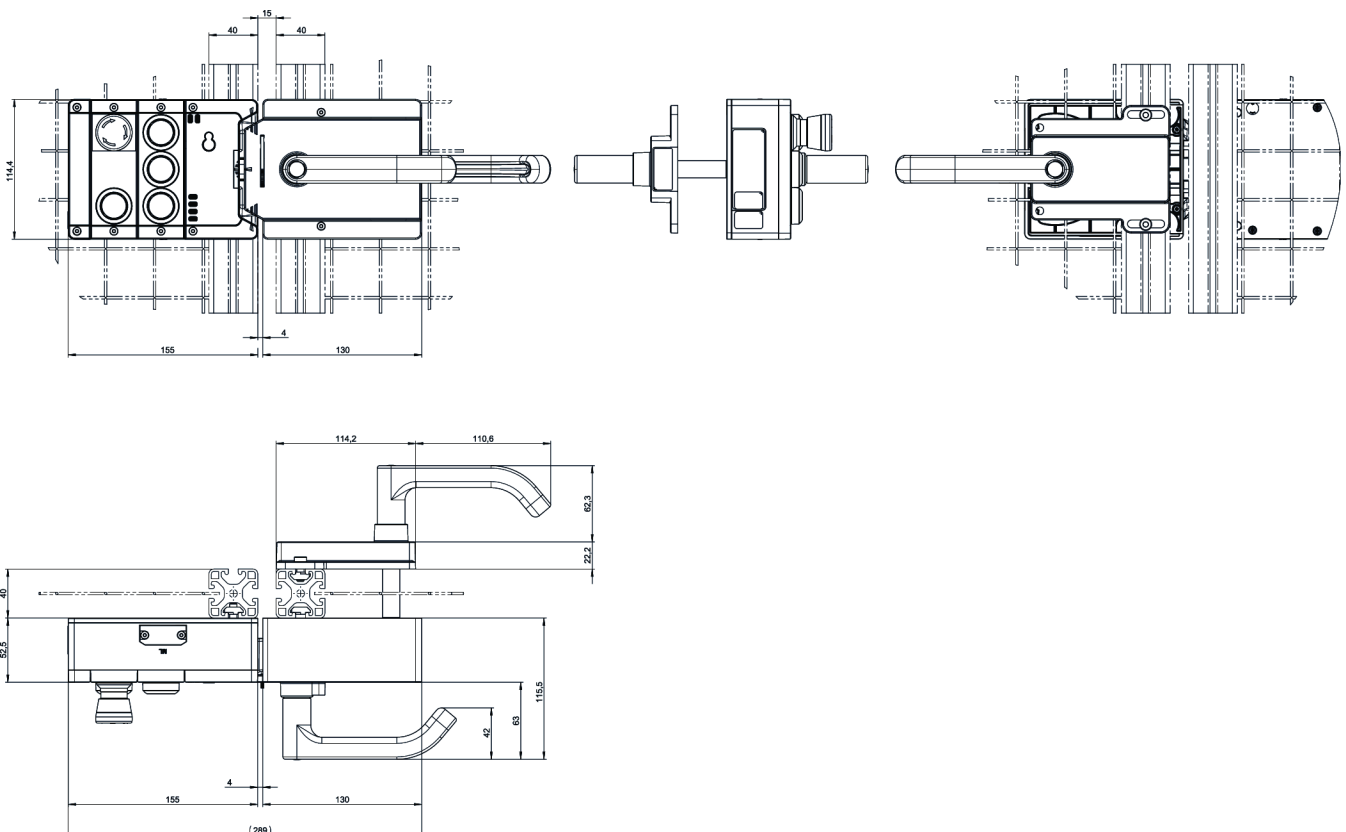
### Flexible connection to any bus module MBM

The locking set can be connected to any bus module MBM, making it the ideal choice for supplementing or expanding existing systems.

### Remote mounting

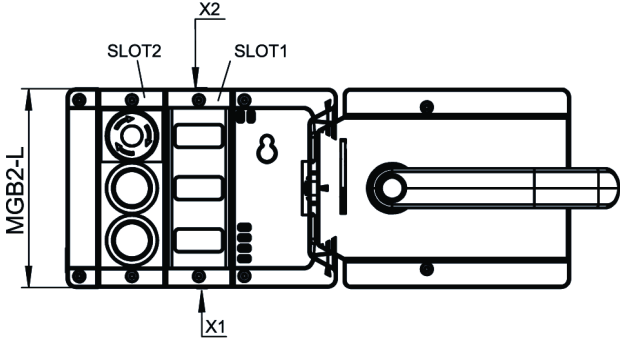
If space is limited, the bus module can be remotely mounted on the locking set.

### Dimensional drawings



Dimensional drawings

...-R-...



...-L-...

