

SN02X12-781L-M (Order no. 088393)

Series SN... 12/16 mm, inductive

- ▶ Proximity switch spacing 12 mm
- ▶ Upright housing, small flange
- ▶ Degree of protection IP67 according to IEC 60529
- ▶ LED function display



Rated operating distance

With 12 mm proximity switch spacing, the rated operating distance is 2 mm.

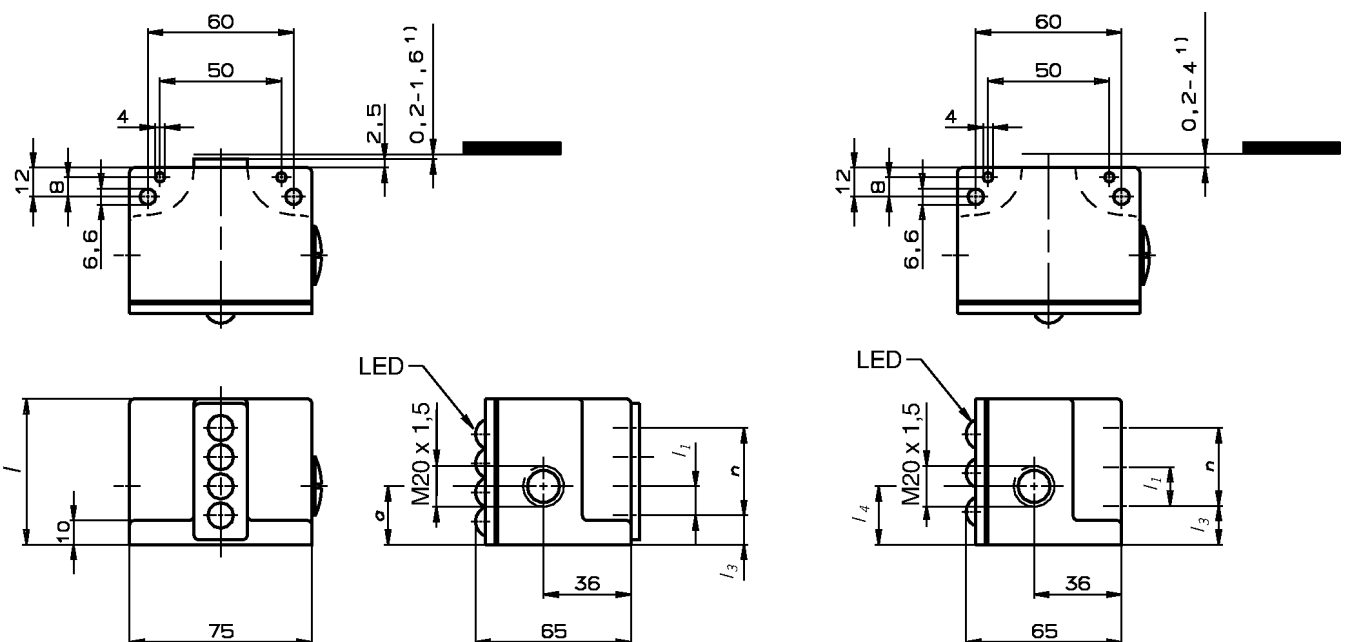
Mixed contact assembly

On request mixed assembly with electromechanical safety switching elements according to IEC 60947-5-1 is possible for 12 mm proximity switch spacing.

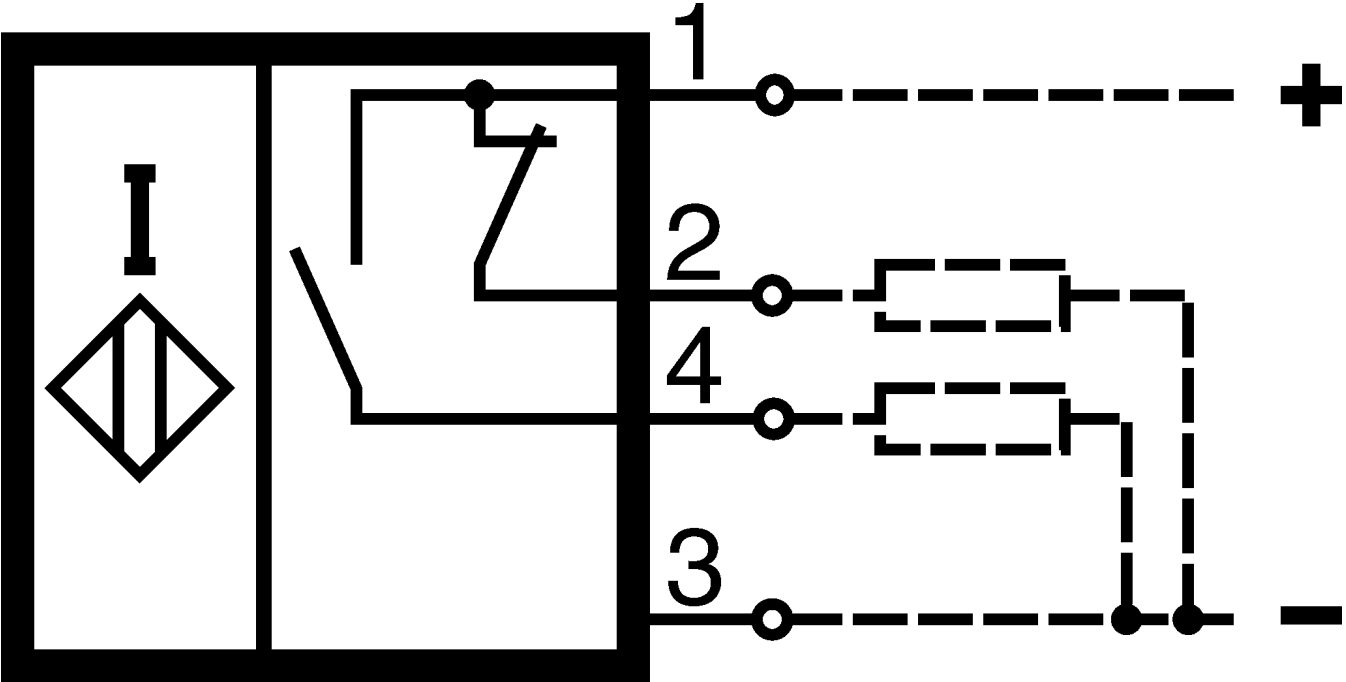
LED function display

DC and AC switching elements are equipped as standard with a function display on the switching element (yellow). The function display can be seen from the exterior.

Dimensional drawings



Connection examples



Technical data

Approvals



Workspace

Rated operating distances S_n	2 mm
Assured operating distances S_a	0 ... 1.6 mm (Dimension applies only to steel (ST37) and to EUCHNER trip dogs of series UX../GX..)
Switching hysteresis	max. 0.2 mm
Repeat accuracy R	5 %

Operating and display elements

LED display	Yes
-------------	-----

Electrical connection values

Connection cross section	0.34 ... 1.5 mm ² (Screw terminals)
Output type	PNP
Rated operating current I_e	250 mA
Rated insulation voltage U_i	60 V
Operating voltage	DC 10 ... 55 V
EMC protection requirements	EN IEC 60947-5-2
Utilization category	DC-12 DC-13 (The output is to be protected with a free-wheeling diode for inductive loads.)
Short circuit and overload protection, pulsed	Yes
No-load current I_0	15
Off-state current I_r	max. 0.001 mA