

CES-A-C5H-01-EX (Order no. 097945)

Non-contact safety switch CES-A-C5... ATEX

- ▶ ATEX version
- ▶ With protective plate
- ▶ Suitable for use in zones 2 and 22 (gases and dusts)
- ▶ Safety switches as interlocking device of type 4
- ▶ Safety switch with integrated evaluation electronics
- ▶ Pulsed signals can be switched
- ▶ 2 safety outputs (semiconductor outputs)
- ▶ Up to category 4 / PL e according to EN ISO 13849-1



Approach direction

Can be adjusted in 90° steps

Protective plate

A protective plate included protects the safety switch against impacts on the housing and the ingress of an explosive atmosphere.

Unicode evaluation

Each actuator is highly coded (unicode). The evaluation unit detects only actuators that have been taught-in. Additional actuators can be taught-in.

Category according to EN ISO 13849-1

Due to two redundantly designed semiconductor outputs (safety outputs) with internal monitoring suitable for:

- ▶ CES-A-C5H-01, category 4 / PL e according to EN ISO 13849-1

LED indicator

STATE Status LED

OUT/ERROR Safety outputs status / diagnostics LED (combined)

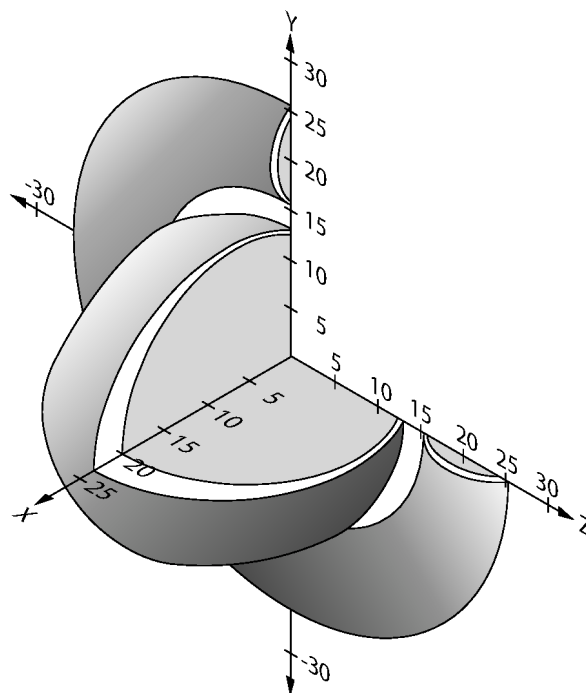
Additional connections

OUT Monitoring output (semiconductor)

Attention:

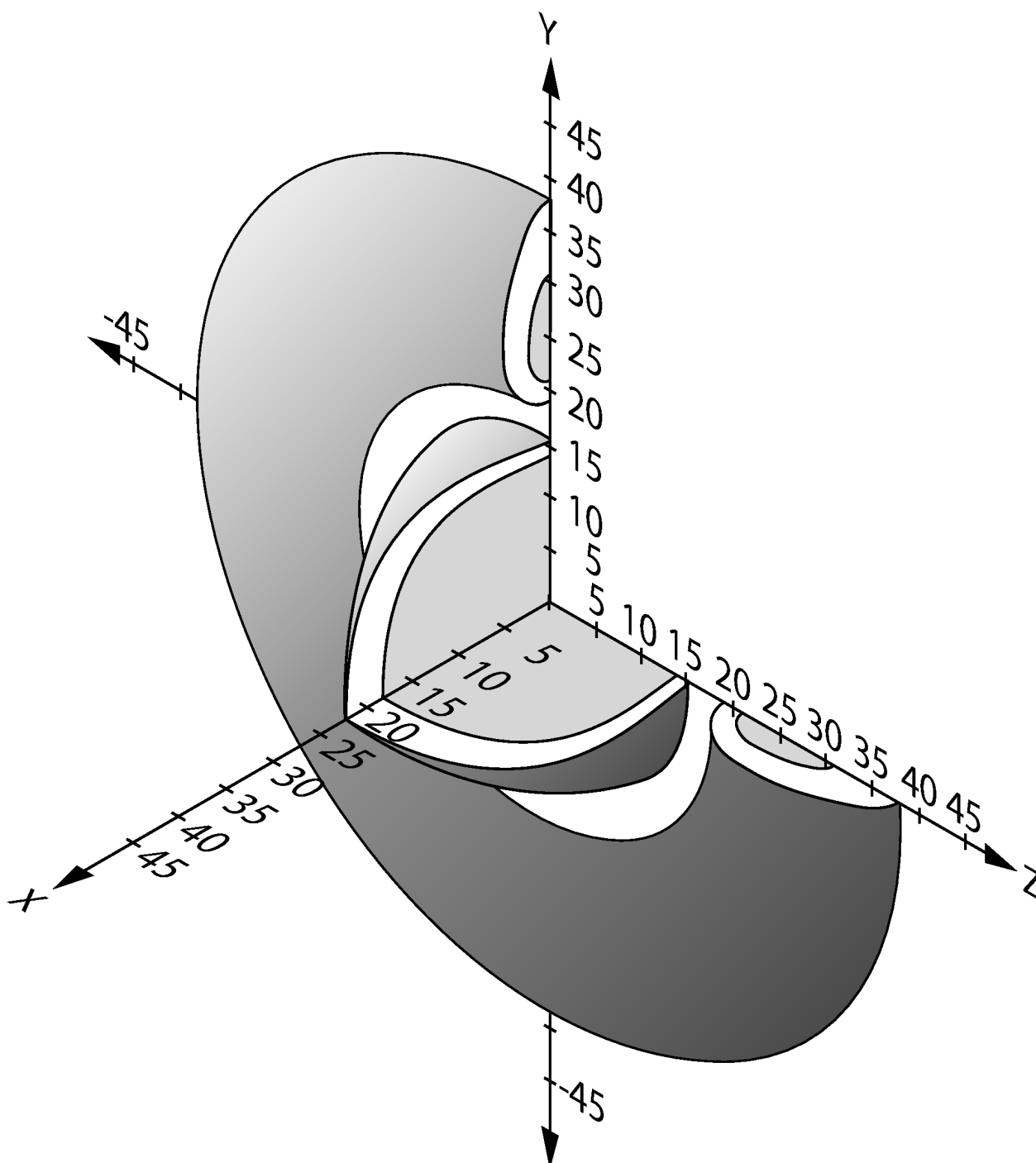
The actuating range may vary depending on the substrate material and installation situation.

Typical operating distance
(Only in combination with actuator CES-A-BBA, CES-A-BCA)



For a side approach direction for the actuator and safety switch, a minimum distance of $s = 4$ mm must be maintained so that the actuating range of the side lobes is not entered.

Typical operating distance
(Only in combination with actuator CES-A-BPA)



For a side approach direction for the actuator and safety switch, a minimum distance of $s = 6$ mm must be maintained so that the actuating range of the side lobes is not entered.