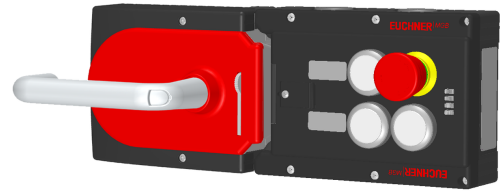


MGB-L1H-APA-L-137329 (Order no. 137329)

Locking set MGB-L1H-APA... (guard locking by spring force) with 3 pushbuttons, emergency stop

- ▶ Guard locking with guard lock monitoring
- ▶ Emergency stop according to ISO 13850
- ▶ 3 pushbuttons (illuminated, 3 pushbuttons = NO contacts)
- ▶ incl. adhesive labels
- ▶ With lens sets, 6 pcs.
- ▶ With cable entry
- ▶ Unicode



Guard locking type

MGB- The locking arm is held in the locked position by spring force and is unlocked by solenoid force
L1... (closed-circuit current principle, mechanically locked).

Door hinge

A mechanical door stop is permanently integrated into the evaluation module of the MGB. A marking on the stop makes adjustment easier.

LED indicator

The LED indicator indicates all important system and status information.

Monitoring outputs

- OD ON when the door is closed
- OT Bolt tongue inserted into the evaluation module
- OL Guard locking solenoid in locked position
- OI Diagnostics; there is a fault

Emergency stop device

S1 2 positively driven contacts, emergency stop with turn-to-reset, not illuminated

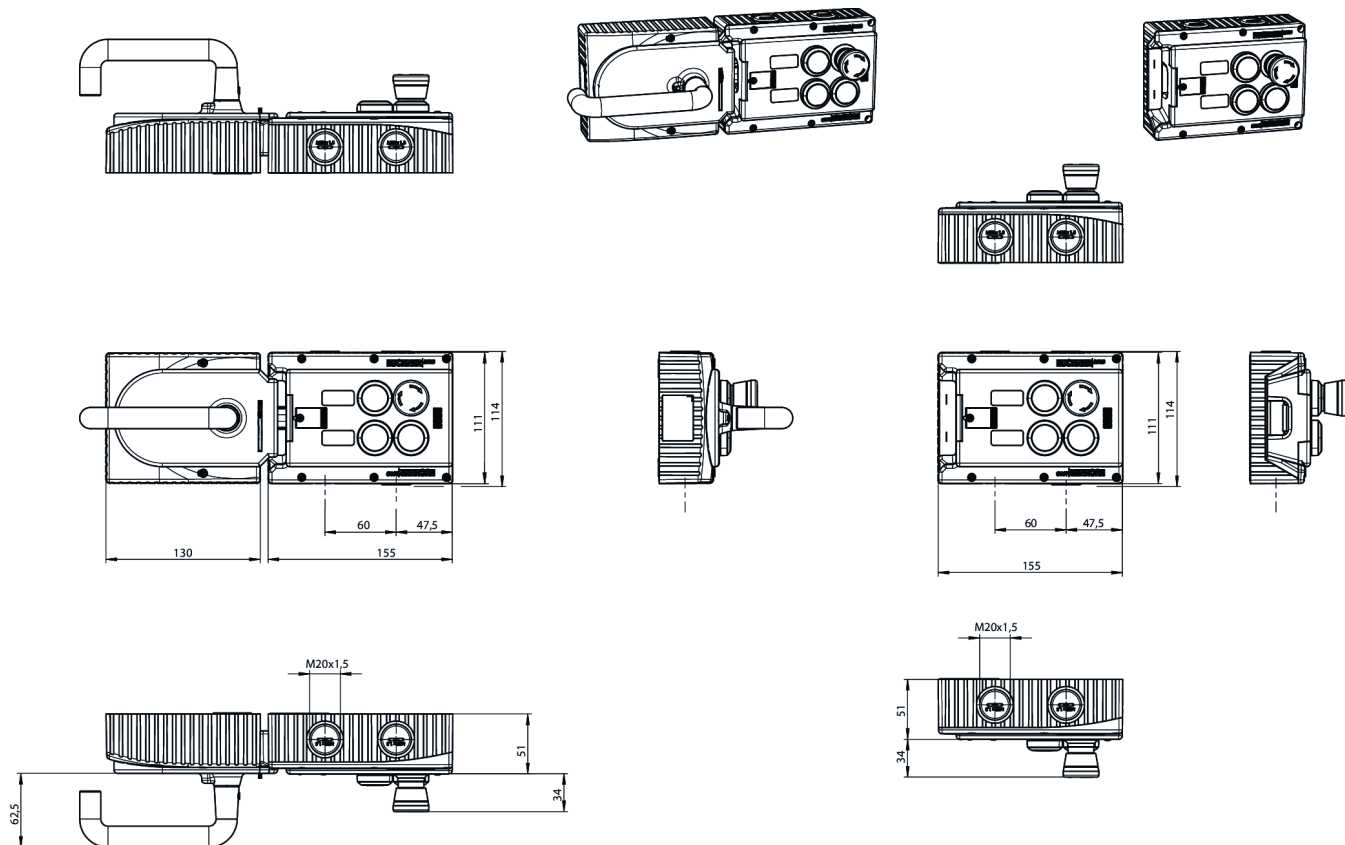
Pushbuttons

- S2 1 NO contact, illuminated
- S3 1 NO contact, illuminated
- S4 1 NO contact, illuminated

Adhesive labels

Devices with adhesive labels have pre-formed recesses. The adhesive labels enclosed (standard size 12.5 x 27 mm) can be affixed in these recesses.

Dimensional drawings



Connection examples

