

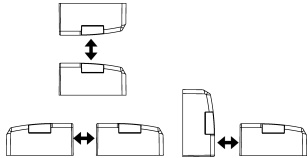
CES-AR-CR2-AH-SG-105751 (Order no. 105751)

Safety switch CES-AR-CR2-..., RFID, plug connector(s) M8

- ▶ Unicode
- ▶ Monitoring output door position OUT D
- ▶ Plug connector M8, 8-pin
- ▶ Door hinge right



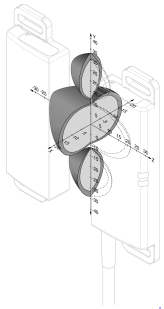
Approach direction and installation position



Permissible installation position

Typical operating distance

(Actuator CES-A-BLN... in conjunction with safety switch CES-AP-C.2-... in case of mounting on plastic)



[For a side approach direction for the actuator and safety switch, a minimum distance of \$s = 6 \text{ mm}\$ must be maintained so that the actuating range of the side lobes is not entered.](#)

Attention:

The actuating range may vary depending on the actuator, substrate material and installation situation. Further actuating ranges can be found in the operating instructions.

Unicode evaluation

Each actuator is highly coded (unicode). The switch detects only taught-in actuators. Additional actuators can be taught-in.

Only the last actuator taught-in is detected.

Safety characteristics

Thanks to two redundant safety outputs (semiconductor outputs) with internal monitoring, the device is suitable for:

- ▶ Category 4 /PL e according to EN 13849-1
- ▶ SIL 3 according to EN IEC 62061 Table 4

The OSSD outputs used check their function for short circuits and short circuits with test pulses.

LED indicator

STATE Status LED

DIA Diagnostics LED

Terminal assignment

Plug connector (view of connection side)	Pin	Designation	Function	Connecting cable conductor coloring
	1	IB	Enable input, channel B	WH
	2	UB	Electronics operating voltage, 24 V DC	BN
	3	OA	Safety output, channel A	GN
	4	OB	Safety output, channel B	YE
	5	OUT	Monitoring output	GY
	6	IA	Enable input for channel A	PK
	7	0 V	Weight 0 V DC	BU
	8	RST	Reset input	RD

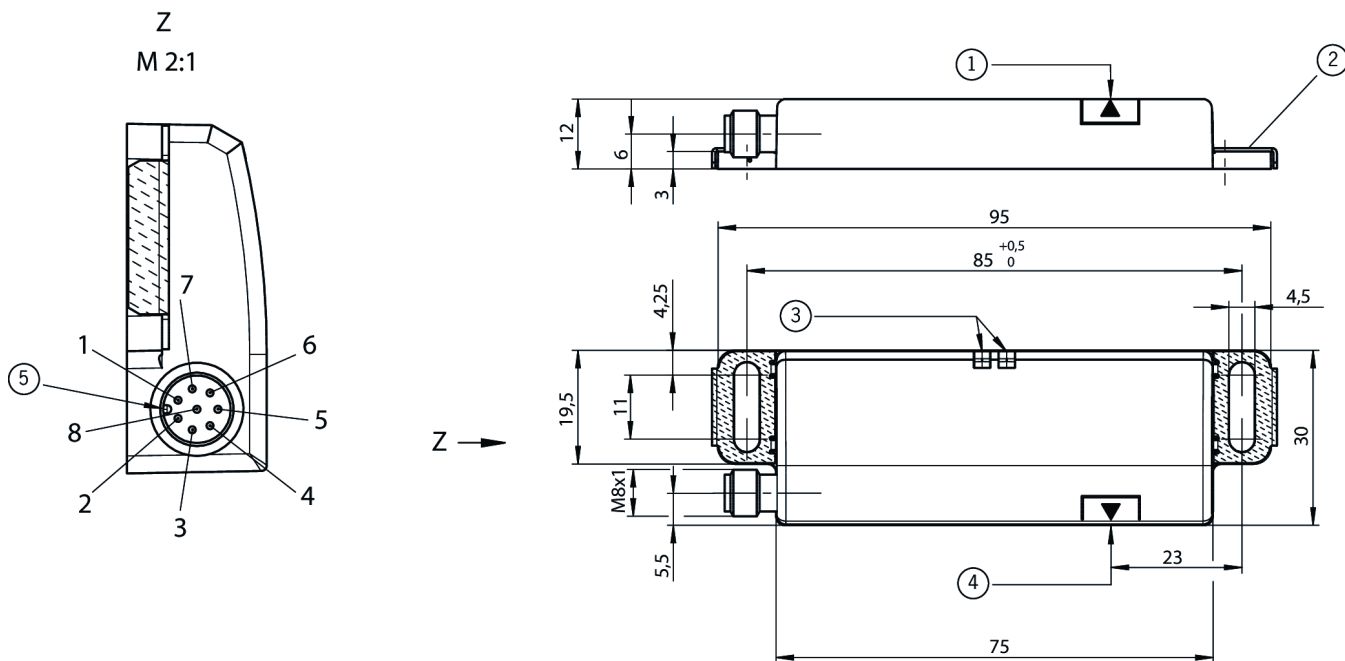
Scope of delivery

- ▶ 2 x safety screws M4x14

Accessories required

Actuator is not included.

Dimensional drawings



- 1 Active face
- 2 Fastening lug with reinforcement plate
- 3 LED status indication
- 4 Active face
- 5 Coding lug

Connection examples

