

## **BETAETIGER-S-WQT-LN (Order no. 095741)**

**Actuator S, bent, for safety switch SGA/SGP/STA/STP/STM for insertion funnel**

- ▶ Two safety screws included
- ▶ Actuator with rubber bush



### **Notice**

S-...-SN actuators must not be used in conjunction with insertion funnels. S-...-LN actuators must be used for insertion funnels.

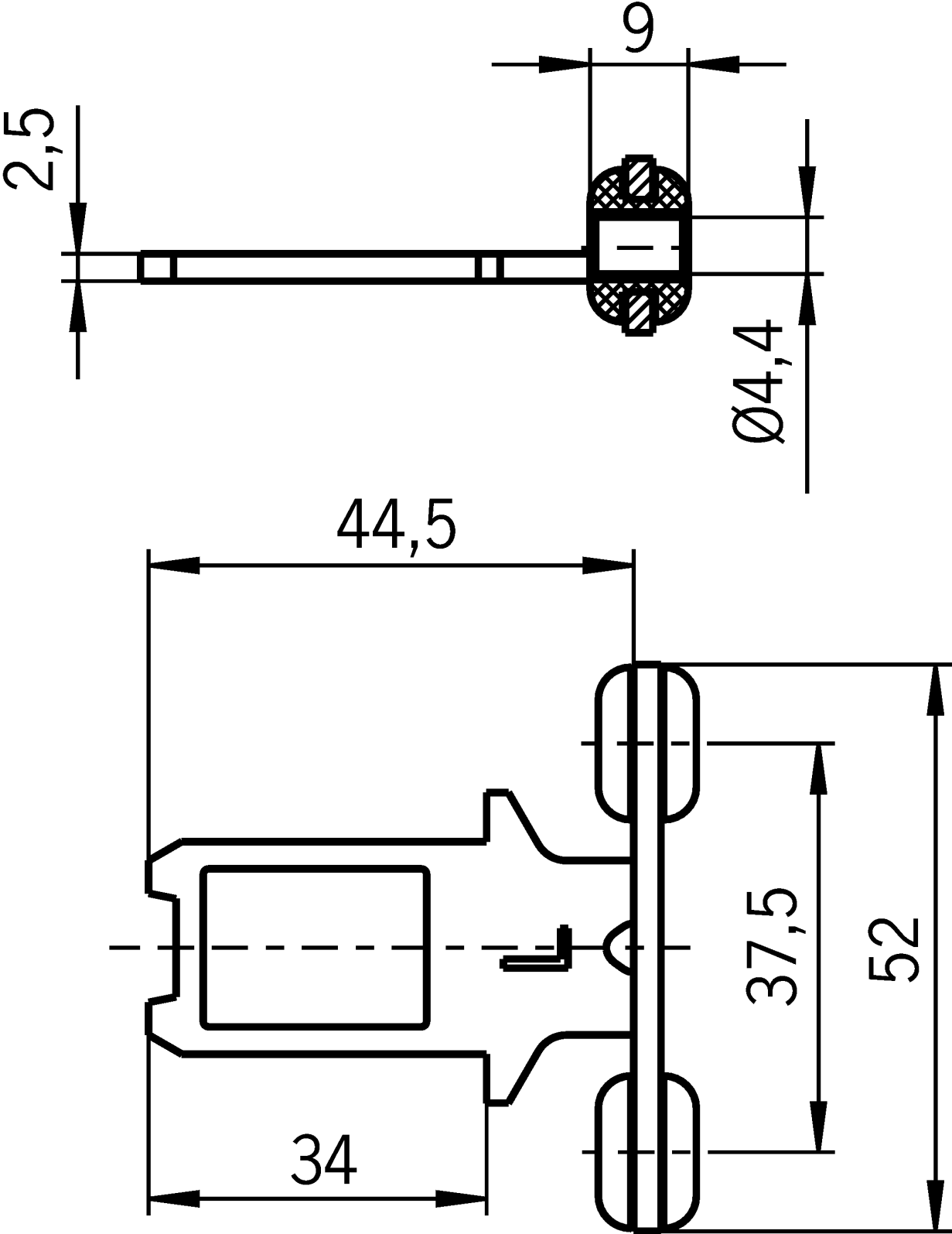
### **Bent actuator**

Suitable for a maximum tensile force of 1000 N.

### **Screws made of stainless steel**

The safety screws included can be inserted with a normal tool, but cannot be removed again.

Dimensional drawings



## Technical data

### Approvals



### Mechanical values and environment

Storage temperature -25 ... 70 °C

Overtravel max. 5 mm

Door radius min. 300 mm

#### Material

Screw Stainless steel

Actuator Stainless steel

Rubber bush NBR

Locking force  $F_{max}$  max. 1000 N reduced locking force by actuator

### Miscellaneous

Usability of insertion funnel Yes