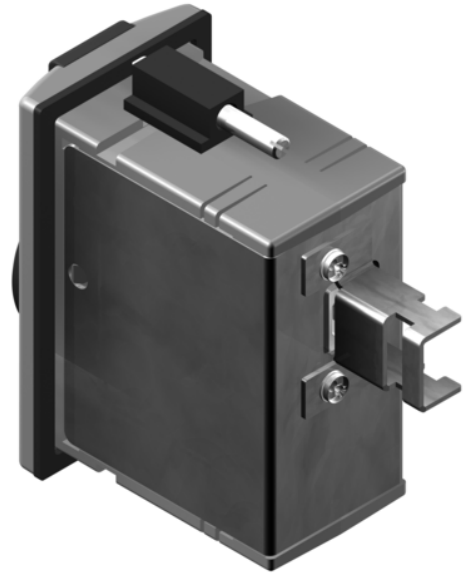


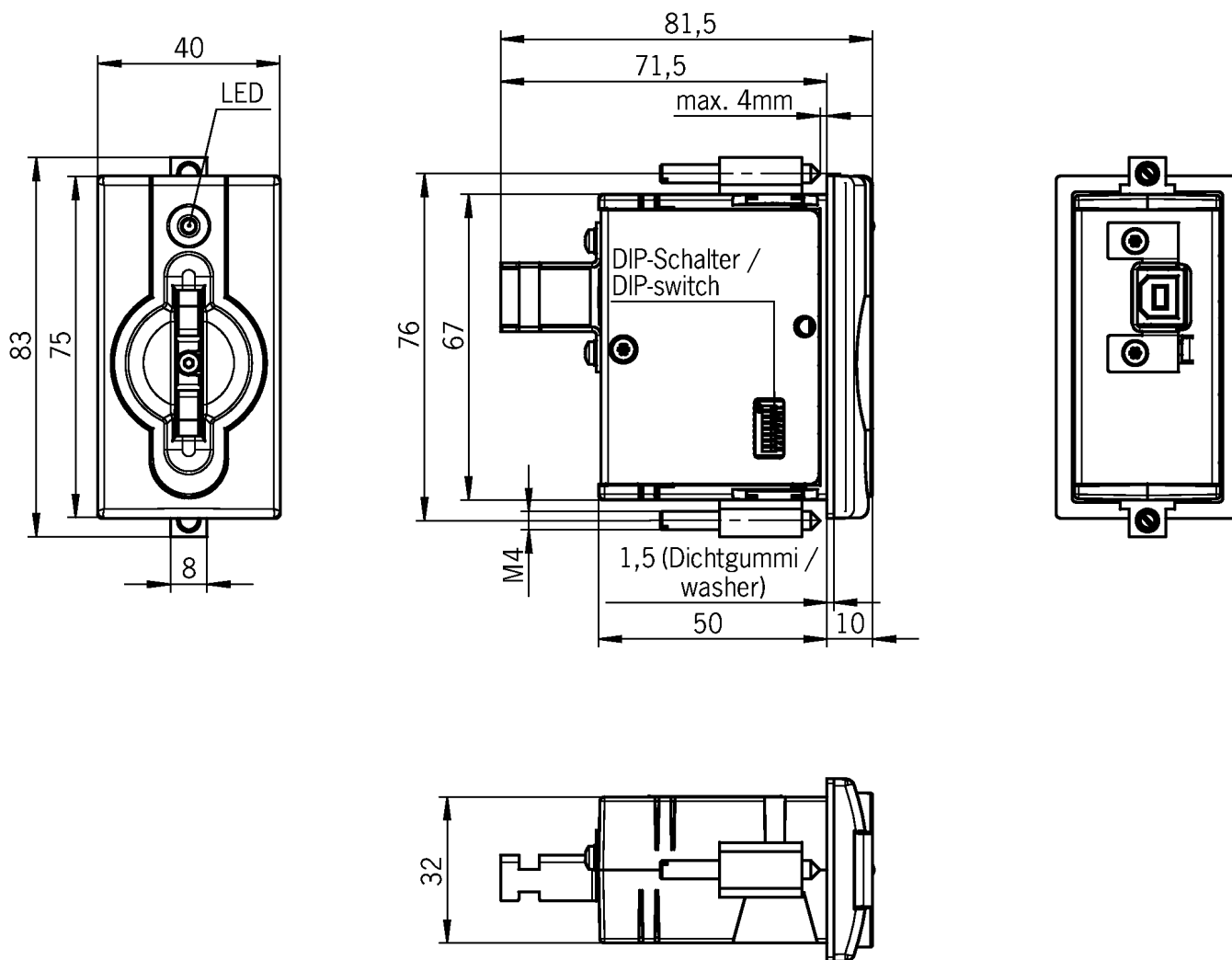
EKS-A-IUX-G01-ST01 (Order no. 092750)

Electronic-Key adapter with USB interface

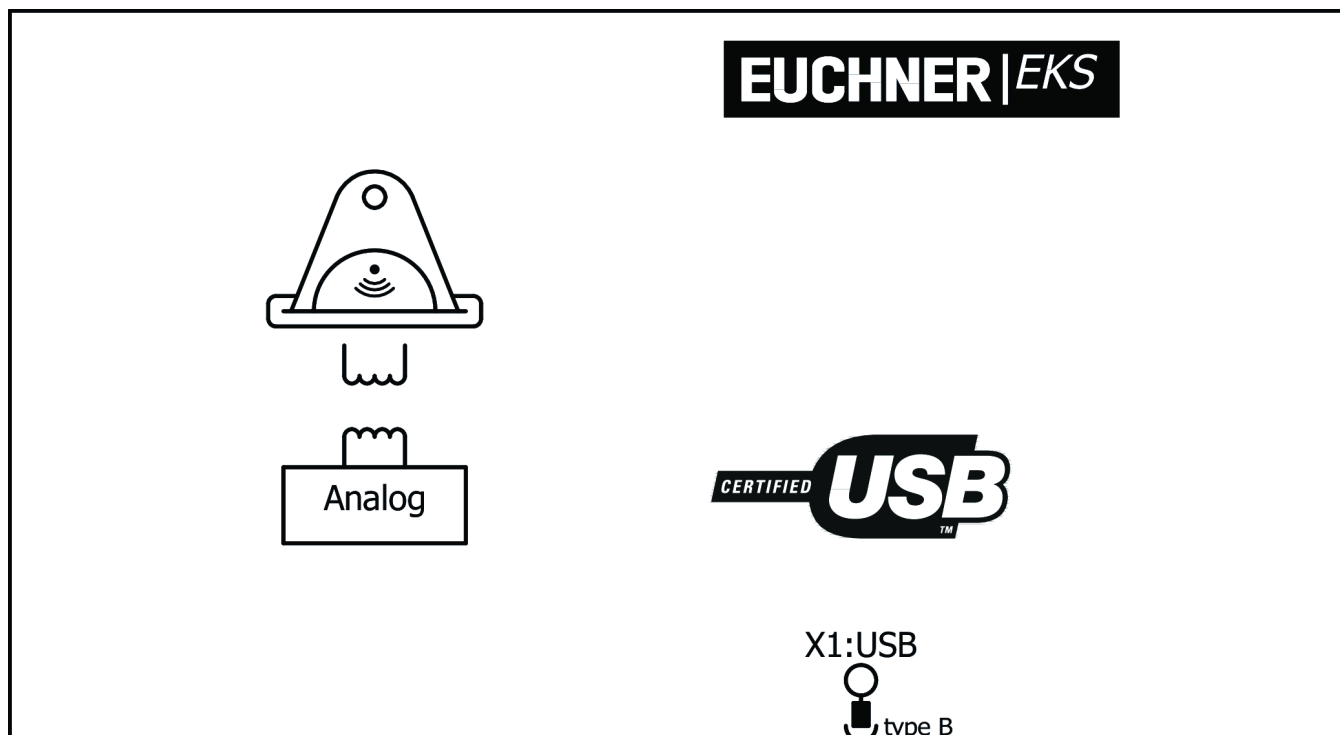
- ▶ Electronic-Key adapter with USB interface in housing G01
- ▶ Read/write system
- ▶ Power supply via USB interface
- ▶ Type B socket connection
- ▶ Electronic-Key adapter and electronics in one housing
- ▶ Transfers the data from the Electronic-Key to a control system for processing
- ▶ Connection to PC
- ▶ Virtual serial COM port
- ▶ Open communication commands at the lowest level
- ▶ 3964R protocol
- ▶ Connection to the user software possible via ActiveX® module under Windows®
- ▶ Very reliable retention of the Electronic-Key, even if there is heavy vibration
- ▶ Especially recommended for setting up a programming station on a PC
- ▶ Degree of protection: IP65/IP67 (installed)
- ▶ LED indicator



Dimensional drawings



Connection examples



Technical data

Approvals



Operating and display elements

LED display

yellow	Key in the actuating range
green	operational

Electrical connection values

Power supply	via USB
--------------	---------

Current consumption

I_B	max. 100 mA
-------	-------------

Mechanical values and environment

Installation orientation	on the front
--------------------------	--------------

Storage temperature	-25 ... 70 °C
---------------------	---------------

Mounting cut-out	33 x 68 mm
------------------	------------

Degree of protection

in mounted condition (only access side)	IP65/IP67
---	-----------

Ambient temperature	0 ... 55 °C
---------------------	-------------

Material

Housing	Plastic (PA6 GF30, gray)
---------	--------------------------

USB interface

Connection type	USB type B socket
-----------------	-------------------

Cable length	max. 3 m USB
--------------	--------------

Interface

USB interface

Data protocol	3964R via USB
---------------	---------------

Data rate	9.6 ... 28.8 kbit/s
-----------	---------------------