

C-M12F08-07X025PV10,0-MA-099633 (Order no. 099633)

Connecting cable with plug connector M12, 8-pin, 10 m

- ▶ M12 female plug, 8-pin
- ▶ Straight plug connector
- ▶ PVC cable
- ▶ Cable length 10 m
- ▶ With flying lead



These special connecting cables are needed for the connection of the CET to a CES evaluation unit.

Please take into account in the order!

Interference is prevented by special screening.

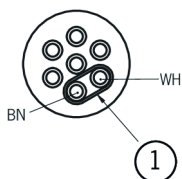
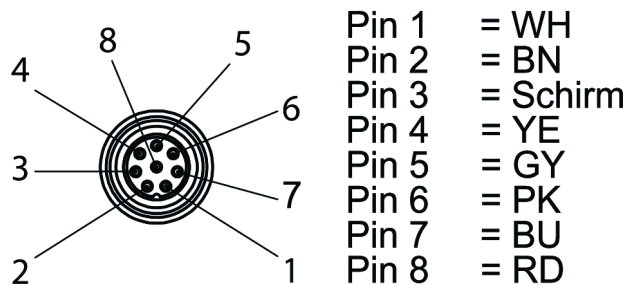
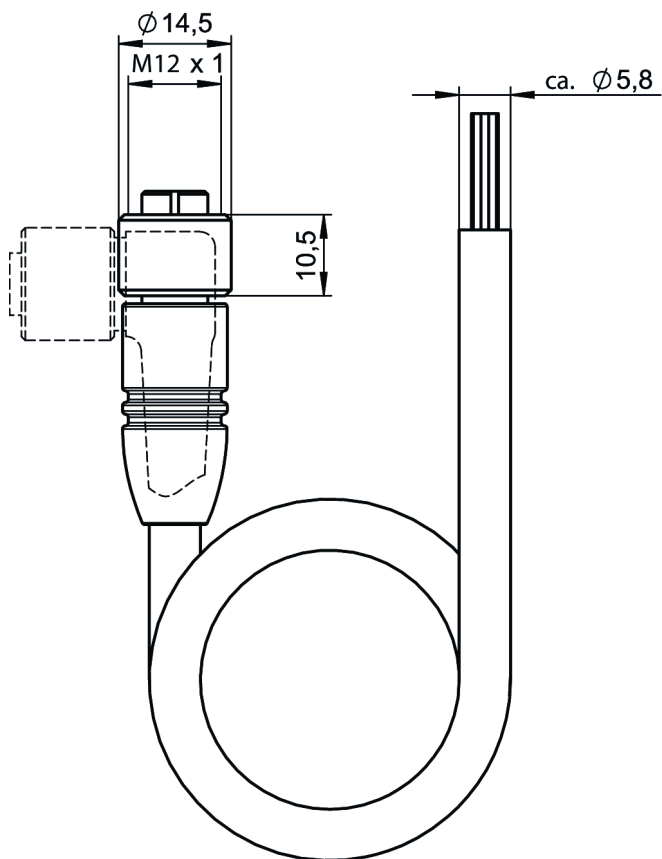
Important

Connecting cables are not allowed to be extended.

Notice

The connecting cables with PUR sheath are suitable for drag chains with a minimum bending radius of 60 mm (10 times the cable diameter).

Dimensional drawings



1 Screen (pin 3 screen around WH and BN)

Technical data

Approvals



Electrical connection values

Rated voltage	36 V
Rated voltage	30 V
Nominal current	
	at 40 °C 2 A
Test voltage	1.5 kV
Individual shielding	yes, shield around flexes BN and WH connected to pin 3, coverage approx. 85%
Degree of contamination according to EN 60664-1	3

Mechanical values and environment

Conductor identification	Color code
Conductor cross-section	0.25 mm ²
Number of conductors	7
Static bending radius	10 x cable diameter
Storage temperature	-40 ... 80 °C
Cable outlet	straight
Cable type	straight
Cable diameter	
	approx. 5.8 mm
Cable length	10 m
Sheath color	black
Drag chain suitability	No
Silicone-free	Yes
Cable ambient temperature (dynamic)	5 ... 80 °C
Cable ambient temperature (static)	-40 ... 80 °C