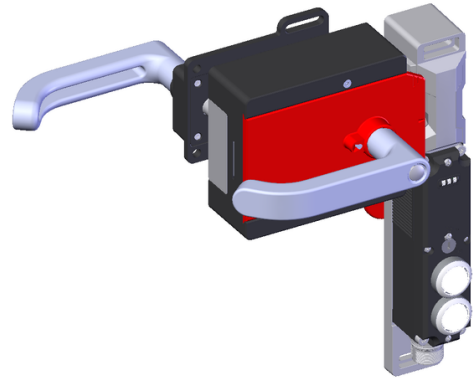


MGBS-P-L1HE-AR-U-L-SH-161557 (Order no. 161557)

MGBS set AR, M23, 2 pushbuttons, with escape release, door hinge on left

- ▶ Locking module with handle module
- ▶ suitable for doors hinged on the left
- ▶ Series connection possible (up to 20 AR devices in series)
- ▶ Short circuit monitoring
- ▶ 2 safety outputs (semiconductor outputs)
- ▶ Up to category 4 / PL e according to EN ISO 13849-1
- ▶ 2 pushbuttons (illuminated)
- ▶ With plug connector M23
- ▶ Unicode
- ▶ Door position monitoring output
- ▶ incl. escape release and inner door handle



Unicode evaluation

Each handle module is highly coded (unicode). The locking module detects only handle modules that have been taught-in. Additional handle modules can be taught-in. Only the last handle module taught-in is detected.

Guard locking type

MGBS- Guard locking actuated by spring force and power-ON released (closed-circuit current
L1 principle).

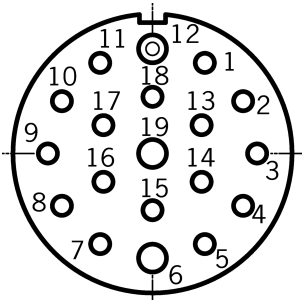
Lens set

The color of the pushbuttons can be selected using the color cover set included (5 colors).

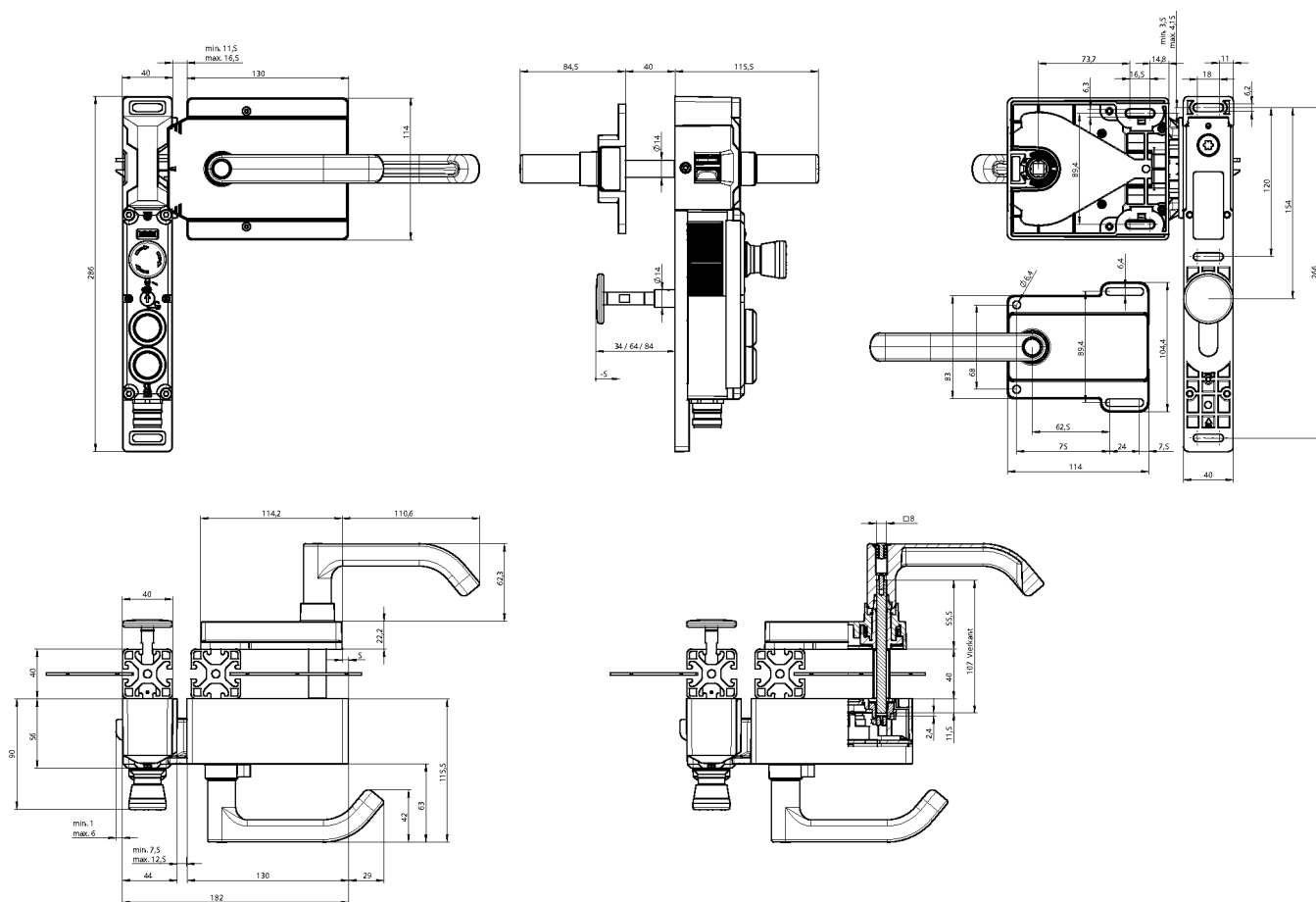
Escape release

It is used for manual release of the guard locking without tools in an emergency. The inner door handle permits escape from the danger zone.

Connector assignment

| Plug connector (view of connection side) | Pin | Designation | Function | Connecting cable conductor coloring |
|-----------------------------------------------------------------------------------|-----|-------------|-------------------------------------------------------------------|-------------------------------------|
|  | 1 | IMP | Solenoid operating voltage, 24 V DC | VT |
| | 2 | FI1A | Enable input, channel A | RD |
| | 3 | FI1B | Enable input, channel B | GY |
| | 4 | FO1A | Safety output, channel A | RD/BU |
| | 5 | FO1B | Safety output, channel B | GN |
| | 6 | UB | Electronics operating voltage, 24 V DC | BU |
| | 7 | RST | Reset input | GY/PK |
| | 8 | OD | Door position monitoring output | GN/WH |
| | 9 | OI | Diagnostic monitoring output | YE/WH |
| | 10 | OL | Guard lock monitoring output | GY/WH |
| | 11 | - | n.c. | BK |
| | 12 | FE | Functional earth (must be connected to meet the EMC requirements) | GN/YE |
| | 13 | IMM | Solenoid operating voltage, 0 V DC | PK |
| | 14 | - | n.c. | BN/GY |
| | 15 | S2 | Pushbutton 2 (illuminated) | BN/YE |
| | 16 | H2 | LED 2 | BN/GN |
| | 17 | S3 | Pushbutton 3 (illuminated) | WH |
| | 18 | H3 | LED 3 | YE |
| | 19 | 0VUB | Electronics operating voltage, 0 V DC | BN |

Dimensional drawings



Connection examples

