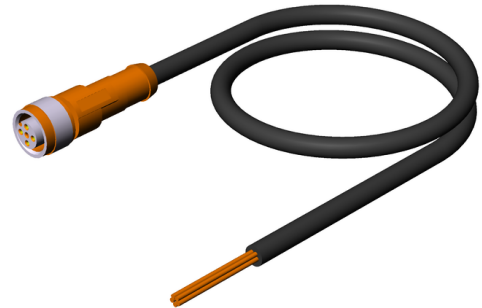


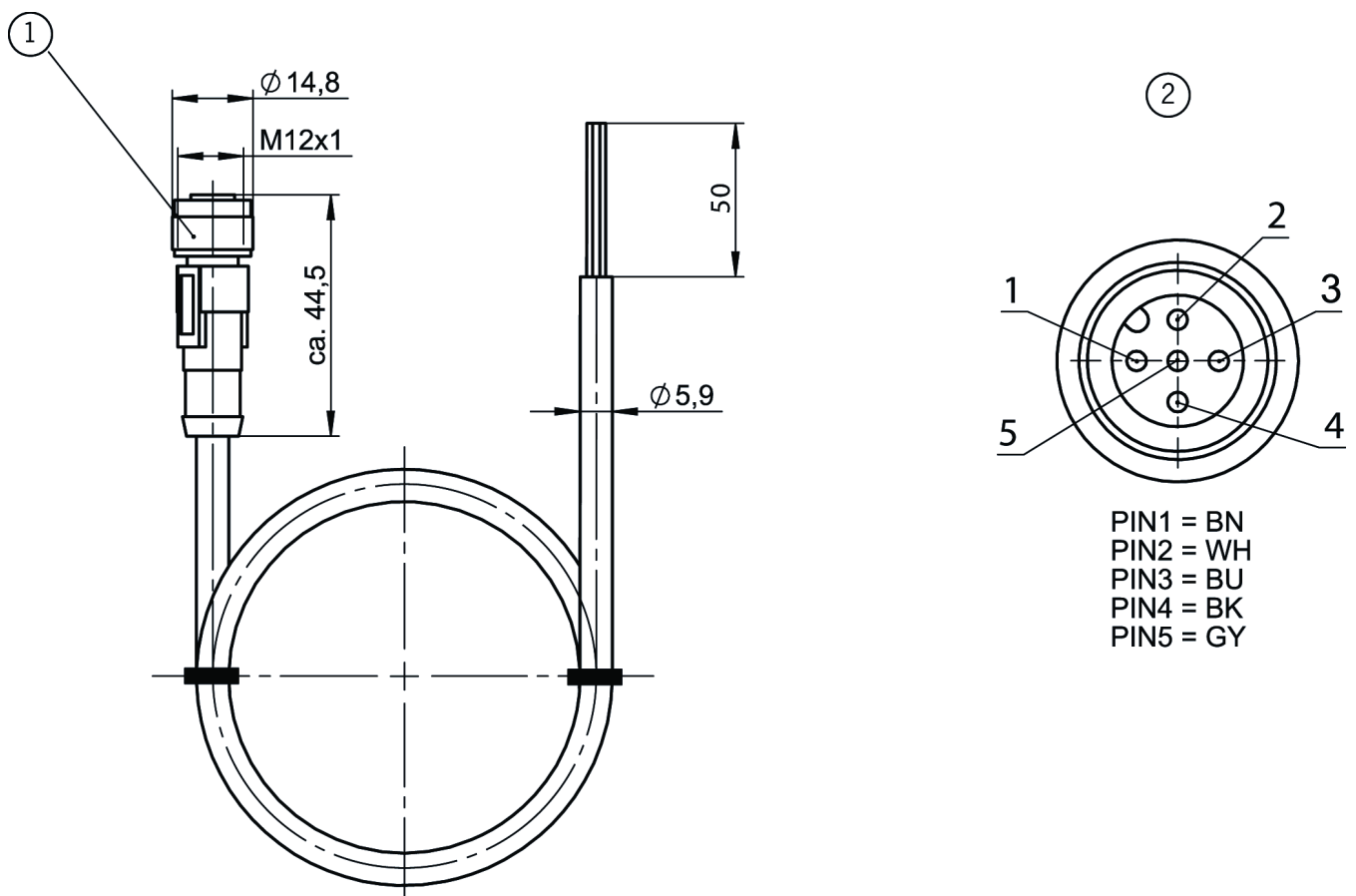
C-M12F05-05X034PU25,0-MA-124054 (Order no. 124054)

Connecting cable with straight plug connector M12, 5-pin, 25 m

- ▶ M12 female plug, 5-pin
- ▶ Straight plug connector
- ▶ PUR cable
- ▶ Cable length 25 m



Dimensional drawings

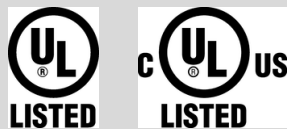


1 Female plug M12, 5-pin

2 Terminal assignment as seen from the connection side

Technical data

Approvals



Electrical connection values

Rated voltage	DC	60 V
Rated voltage	Cable	300 V (at 20°C)
Nominal current	at 40 °C	4 A
Test voltage	Core/core	3 kV (at 20°C)
Cable shielding	Yes, shielding on screw terminal (Braid, tinned Cu, coverage 85%)	
specific conductor resistance	max. 57 Ω/km (at 20°C)	
Overvoltage category according to IEC EN 60664-1	II	
Degree of contamination according to EN 60664-1	3	

Mechanical values and environment

Conductor identification	Color code
Conductor cross-section	0.34 mm ²
Number of conductors	5
Plug connector designation	Socket M12x1, straight, screened
Dynamic bending radius	59 mm (to +60°C)
Static bending radius	29.5 mm
Fire behavior	Flammability class according to UL 94 HB
Halogen-free	Yes (according to DIN VDE 0472 part 815)

Storage temperature	-40 ... 80 °C	
Cable diameter	approx. 5.9 mm	
Cable length	25 m	
Sheath color	black	
Resistance to media	resistant to hydrolysis and microbes	
Drag chain suitability	Yes	
Cable ambient temperature (dynamic)	-25 ... 80 °C	
Cable ambient temperature (static)	-40 ... 80 °C	
UV resistance	limited UV resistance according to DIN EN ISO 4892-2-A	
Material		
	Sheath	PUR
	Conductor insulation	PP
	Conductor	bare Cu flexible wire
Connection 2		
Conductor end	Sheath stripped 50mm	
Connection type	flying lead	
Connection 1		
Connection type	Plug connector M12x1, A-coded	
Connection type	Female plug	
Tightening torque	0.5 Nm	
Cable outlet	straight	
Number of pins	5	
Degree of protection	IP67 (in the screwed tight state)	
Plug lock	Screw connection (0.4 Nm)	
Insertion cycles	100	
Material		
	Plug lock	die-cast zinc, nickel plated
	Plug housing	TPU (low flammability, self-extinguishing)