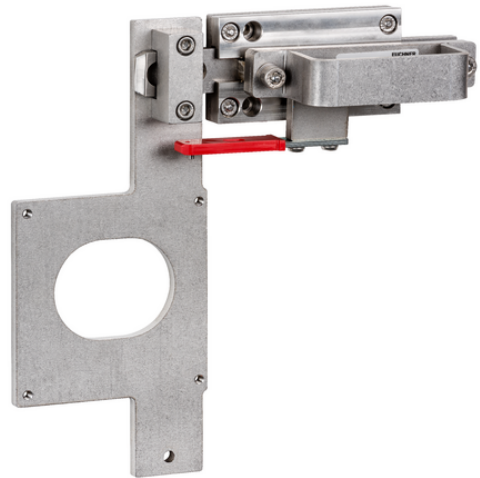


RIEGEL TZ-A-NIRO-C2101 (Order no. 096057)

Bolt TZ-A... for safety switch TZ

- ▶ Stainless steel bolt
- ▶ For doors hinged on the right
- ▶ Can be locked in open position with padlocks
- ▶ Actuator and switch bracket included



Integrated lockout bar

With the aid of the integrated lockout bar, the bolt can be secured in the open position, e.g. using padlocks. It is possible to prevent people from being locked in the danger area unintentionally.

Door types and door hinges

Suitable for hinged and sliding doors. Suitable for doors hinged on the right. With door stop, door cannot be opened inwards.

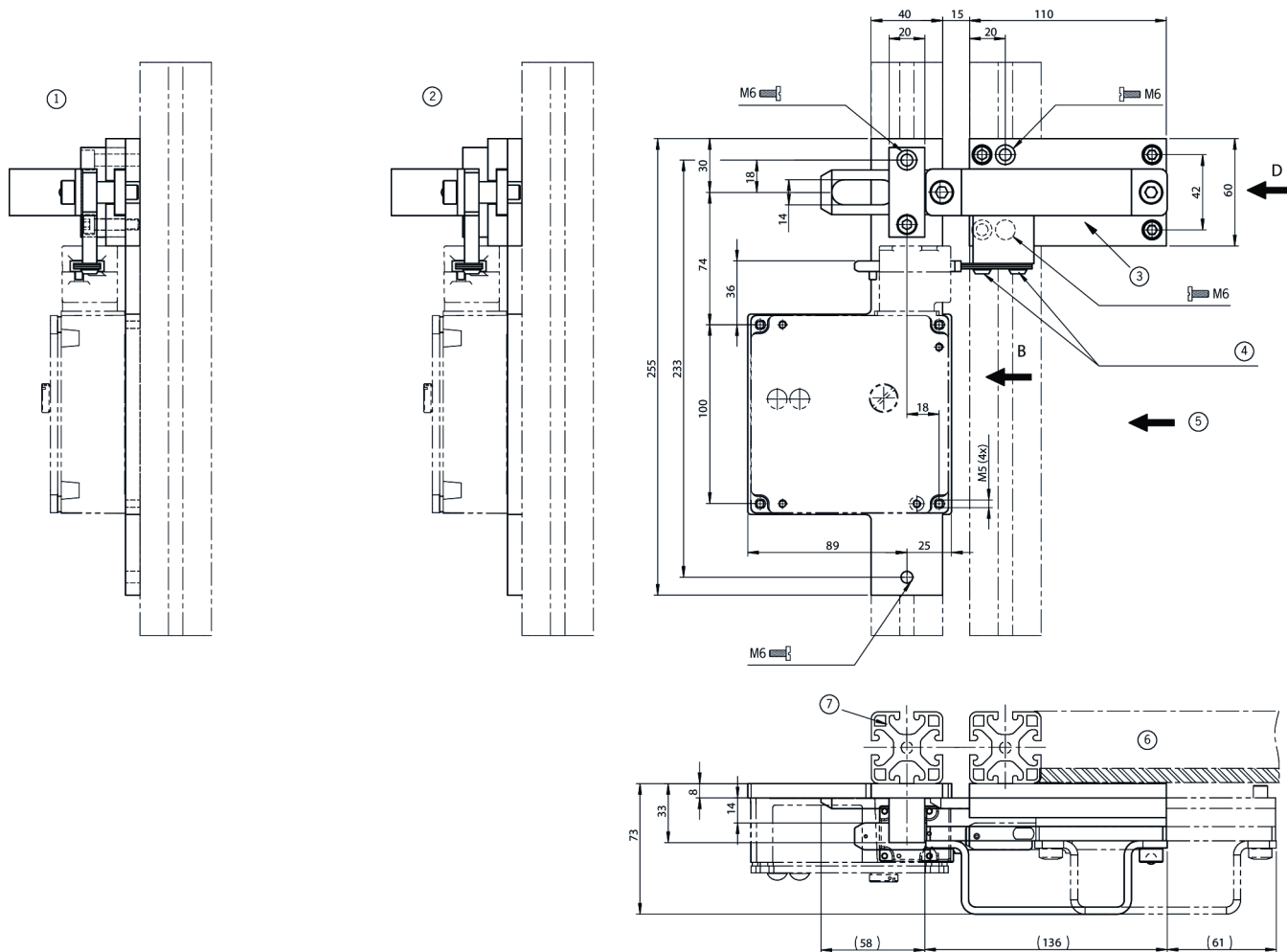
Scope of delivery

- ▶ Bolt parts
- ▶ Switch bracket
- ▶ Actuator

To be ordered separately:

- ▶ Safety switch

Dimensional drawings



1 View B

2 View D

3 Attention! Bolt is not allowed to be used in conjunction with an escape release. Bolt made of stainless steel 1.4301 screws made of stainless steel V2A, handle and slide strips made of stainless steel 1.4301

4 Safety screw

5 Safety switch TZ approach direction A

6 Door hinged on the right

7 Safety guard frame (40x40)

Technical data

Mechanical values and environment

| | |
|---|-----------------|
| Approach direction | A |
| Number of safety switches that can be mounted | 1 |
| Escape release | None |
| Storage temperature | -25 ... 70 °C |
| Material | |
| Base plate | stainless steel |
| Guide strips | stainless steel |
| Handle | stainless steel |
| Switch bracket | stainless steel |

Miscellaneous

| | |
|------------------|------|
| Detent mechanism | None |
|------------------|------|