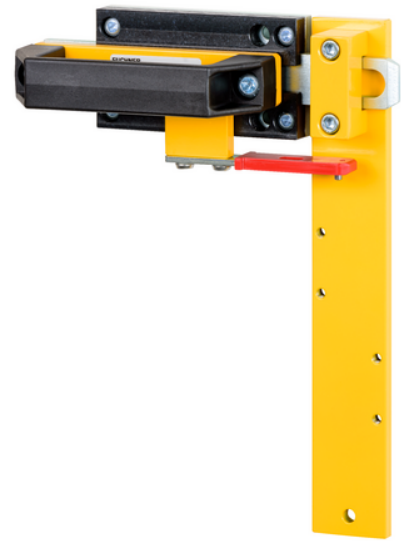


RIEGEL NZ-C (Order no. 057735)

Bolt for safety switches NZ.VZ and NZ.VZ.VS

- ▶ Bolt for safety switches NZ.VZ and NZ.VZ.VS
- ▶ Steel bolt
- ▶ For doors hinged on the left
- ▶ Suitable for a door gap of approx. 15 mm



Scope of delivery

- ▶ Actuator
- ▶ Switch bracket

To be ordered separately:

- ▶ Safety switch

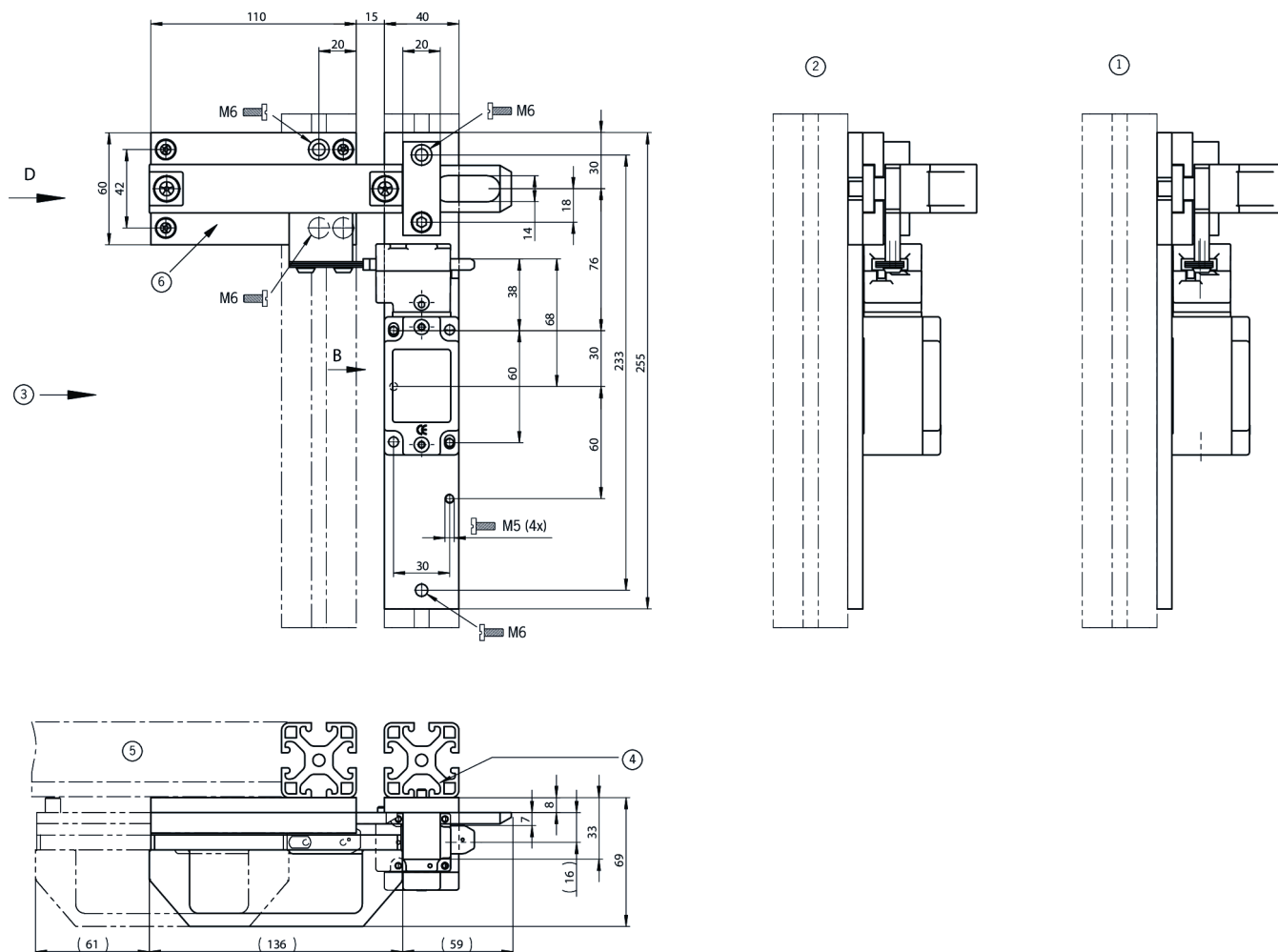
Door types and door hinges

Suitable for hinged and sliding doors. Suitable for doors hinged on the left. With door stop, door cannot be opened inwards.

Integrated lockout bar

With the aid of the integrated lockout bar, the bolt can be secured in the open position, e.g. using padlocks. It is possible to prevent people from being locked in the danger area unintentionally.

Dimensional drawings



1 View B

2 View D

3 Safety switch NZ.VZ... Approach direction C

4 Safety guard frame (40x40)

5 Door hinged on the left

6 Attention! Bolt is not allowed to be used in conjunction with an escape release!

Technical data

Mechanical values and environment

Approach direction	C
Number of safety switches that can be mounted	1
Escape release	None
Storage temperature	-25 ... 70 °C
Material	
Handle	Plastic
Guide strips	Plastic
Base plate	Galvanized steel
Switch bracket	Steel powder-coated

Miscellaneous

Detent mechanism	None
------------------	------