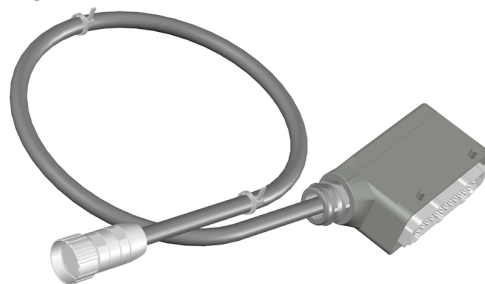


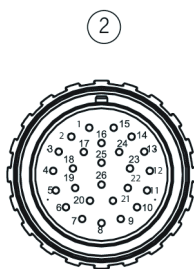
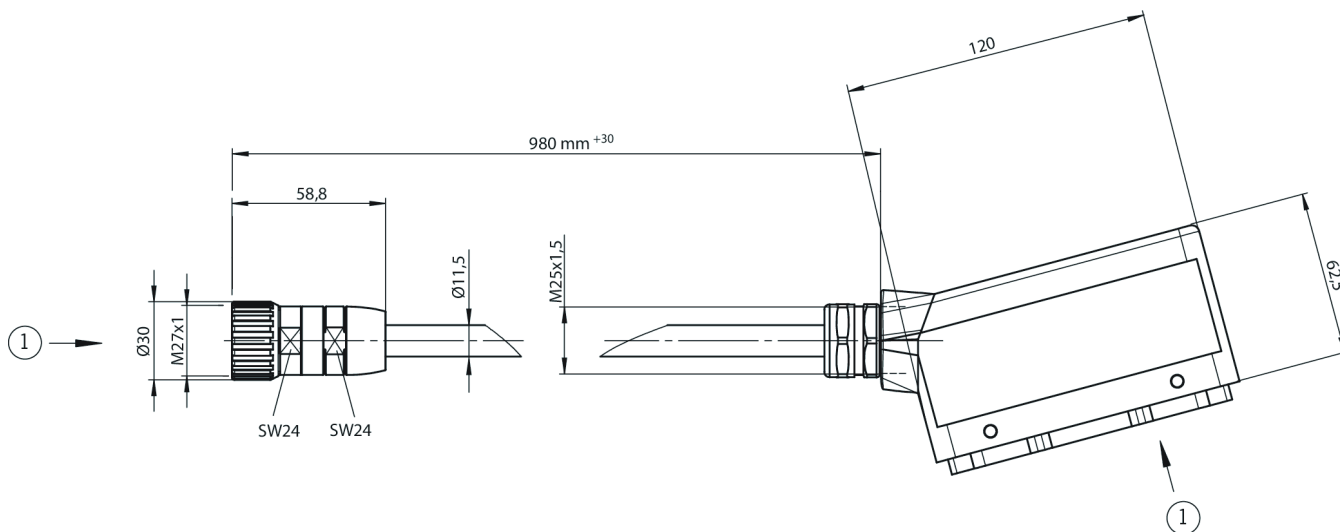
## C-M27F26-PU01,1-HANM24-114985 (Order no. 114985)

### Connecting cable with plug connector RC26, 26-pin, 1.1 m

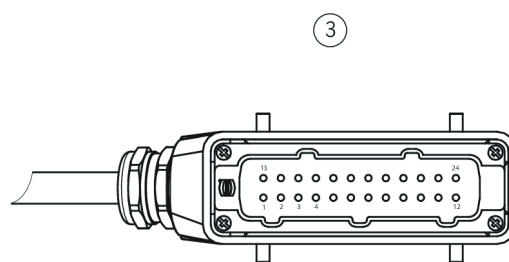
- ▶ M27 female plug (RC26), 26-pin
- ▶ Straight plug connector
- ▶ TPE-U cable
- ▶ Cable length 1.1 m
- ▶ Male plug HAN 24 (Harting), 24-pin
- ▶ Cores numbered, black



### Dimensional drawings



RC26EF	Querschnitt	HAN24
④	⑤	⑥
1	1 <sup>2</sup>	1
2		2
3		3
4		4
5		5
6		6
7		7
8		8
9		9
10		—
25		10
11		11
12		12
13		13
14		14
15	0,5 <sup>2</sup>	15
16		16
17		17
18		18
19		19
20		20
21		21
22		22
23		23
24		24
26		—



1 Pin assignment

2 RC 26 pin assignment M1.2:1 view of plug side (socket)

3 HAN 24 (Harting) pin assignment M1:2 view of plug side (pin)

4 RC26EF

5 Cross-section

6 HAN 24