

## NZ1RK-511L060-M (Order no. 090354)

### Safety switch NZ.RK, roller plunger, steel roller $\varnothing$ 8 mm, cable entry M20 x 1.5

- ▶ Roller plunger, steel roller  $\varnothing$  8 mm
- ▶ Cable entry M20 x 1.5
- ▶ 1 pos. driven contact
- ▶ 1 NO contacts
- ▶ LED indicator: AC/DC 12-60 V red



### Approach direction



Horizontal

Can be adjusted in 90° steps

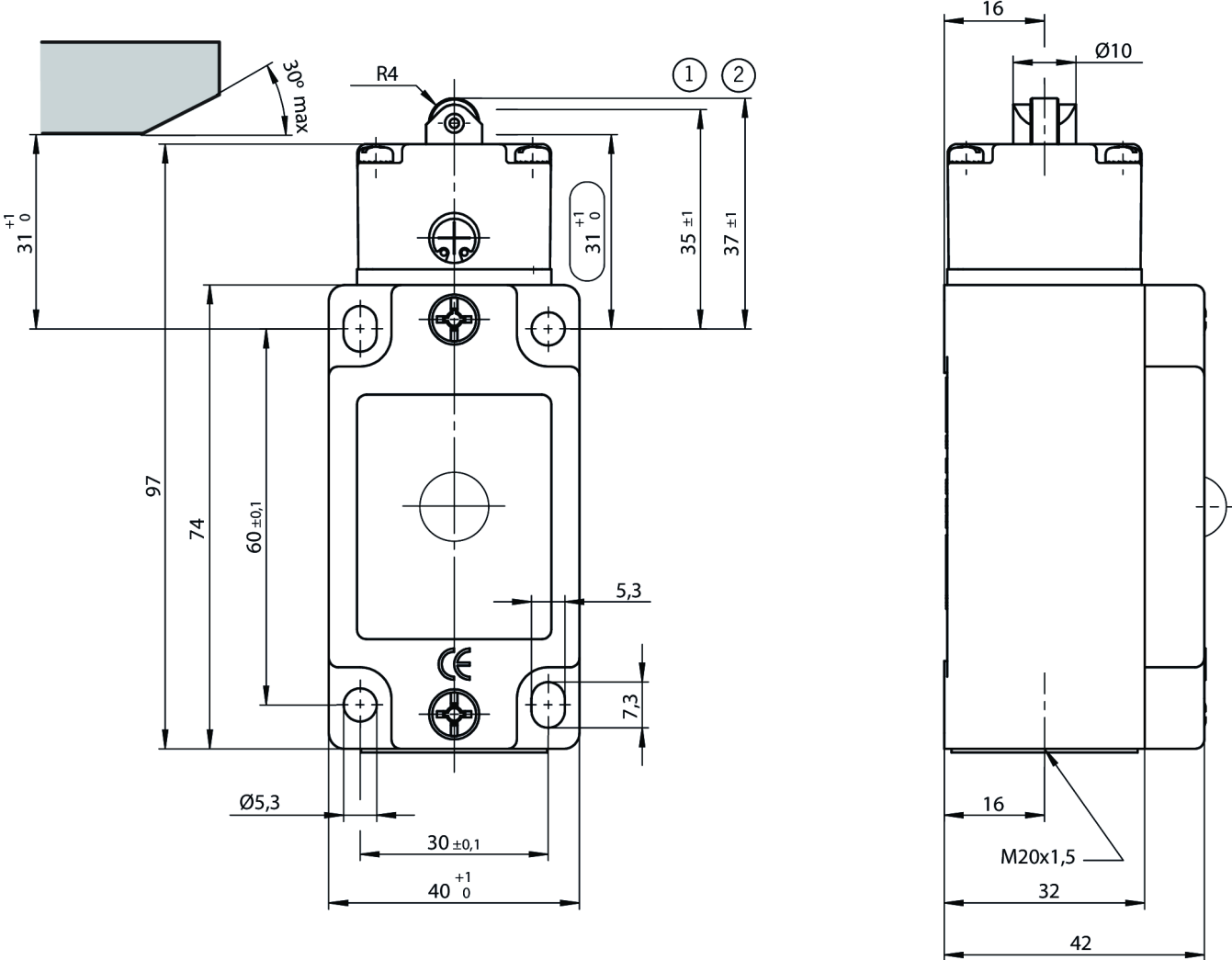
### LED indicator

The switch has one freely assignable LED indicator.

### Switching element

511 Snap-action switching contact, 1 positively driven contact  $\ominus \rightarrow$  + 1 NO contact

**Dimensional drawings**



- 1 Operating point
- 2 Free position

Connection examples

