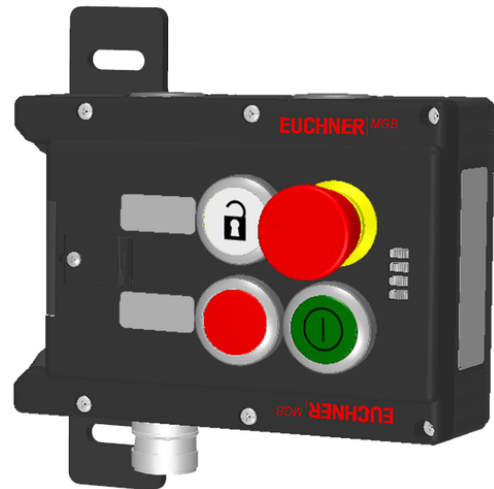


MGB-L1-APA-AJ3A2-S1-L-121814 (Order no. 121814)

Locking module MGB-L1-APA., (guard locking by spring force) with 3 pushbuttons, emergency stop, incl. label carrier, RC18

- ▶ Guard locking with guard lock monitoring
- ▶ Emergency stop according to ISO 13850
- ▶ 3 pushbuttons, illuminated (wh, rd, gn)
- ▶ With plug connector RC18
- ▶ Unicode
- ▶ Common monitoring output for diagnostics and emergency stop



Guard locking type

MGB- The locking arm is held in the locked position by spring force and is unlocked by solenoid force
L1... (closed-circuit current principle, mechanically locked).

Door hinge

A mechanical door stop is permanently integrated into the evaluation module of the MGB. A marking on the stop makes adjustment easier.

LED indicator

The LED indicator indicates all important system and status information.

Monitoring outputs

OT Bolt tongue inserted into the evaluation module

OI Diagnostics; there is a fault

Emergency stop device

S1 2 positively driven contacts, emergency stop with turn-to-reset, not illuminated

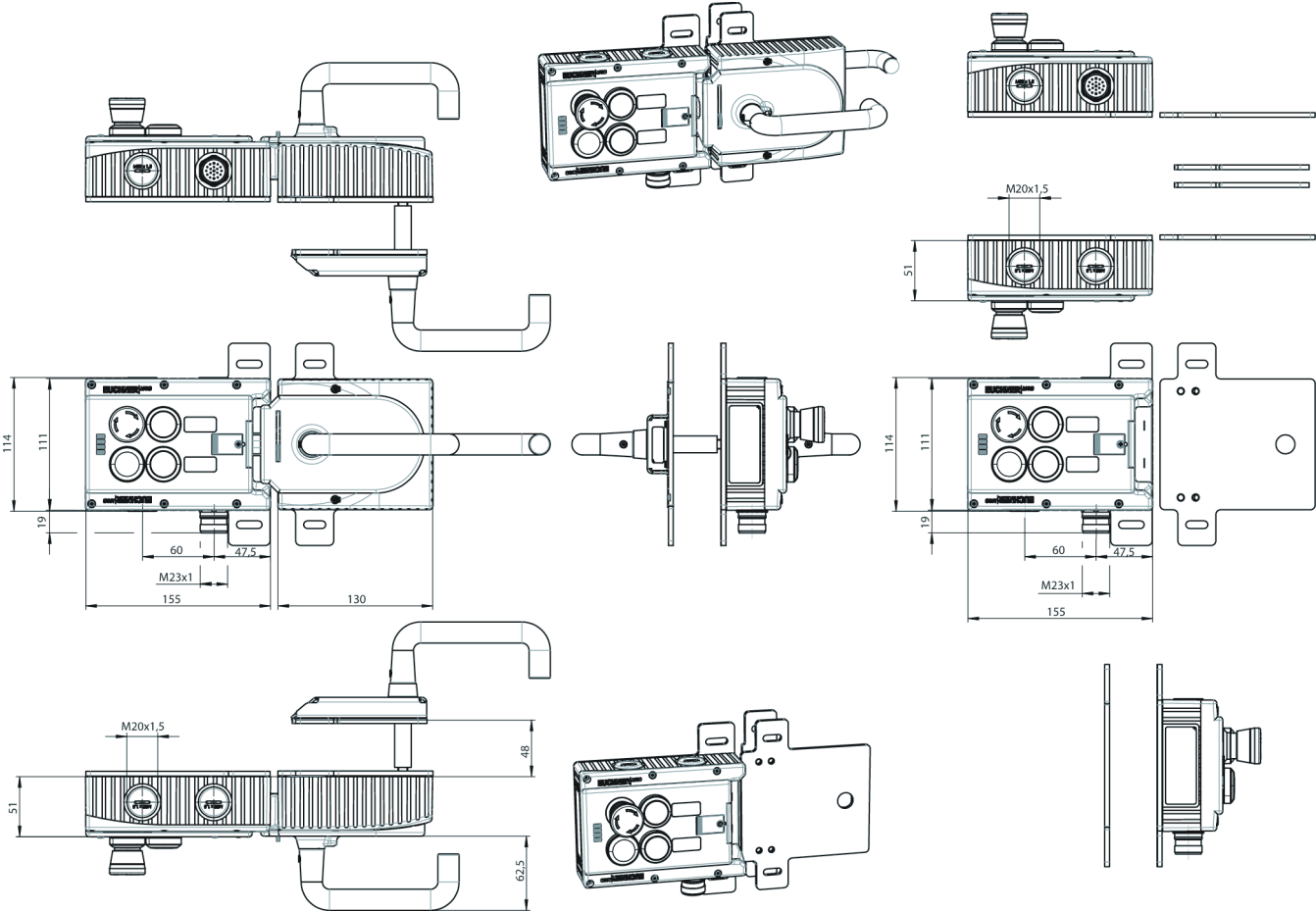
Pushbuttons

S2 1 NO contact, white, illuminated and printed

S3 1 NO contact, red, illuminated

S4 1 NO contact, green, illuminated and printed

Dimensional drawings



Dimensional drawings

