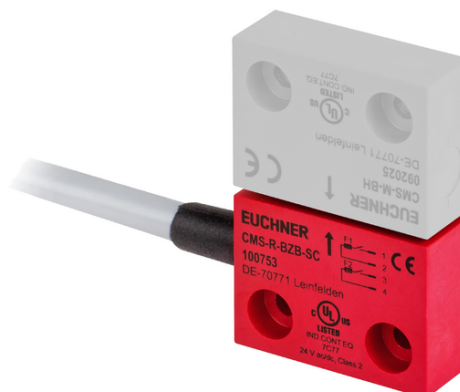


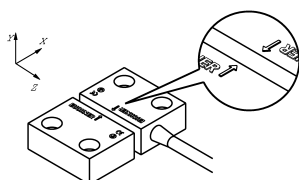
## CMS-R-BXI-07P (Order no. 115117)

### Read heads CMS, design B – with NC/NO contacts, PUR

- ▶ In combination with evaluation units CMS-E-BR/CMS-E-ER/CMS-E-FR
- ▶ Cube-shaped version, 36 x 26 mm
- ▶ Connecting cable
- ▶ Cable type: PUR

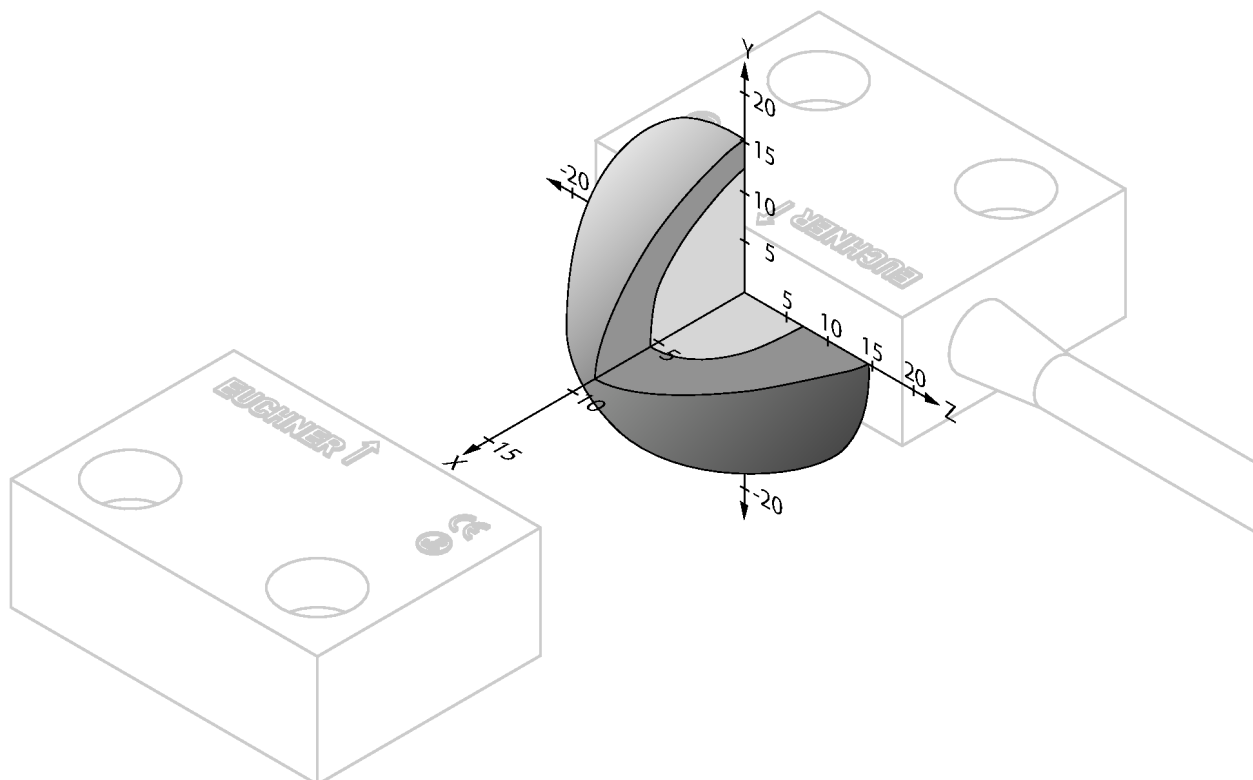


### Alignment of read head and actuator



### Operating diagram, design B

## CMS-R-BXI



- ▶ Typ. operating distance
- ▶ Typ. release distance

### Dimensional drawings

