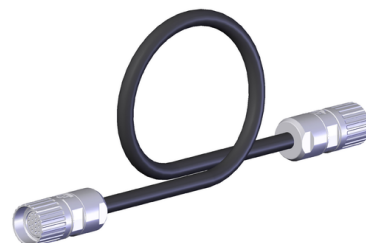


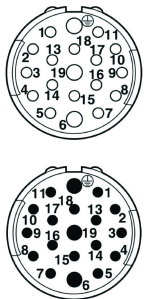
C-M23F19-19XDIFPU01,5-M23M19-112674 (Order no. 112674)

Connecting cable with plug connector M23, 19-pin, 1.5 m, straight

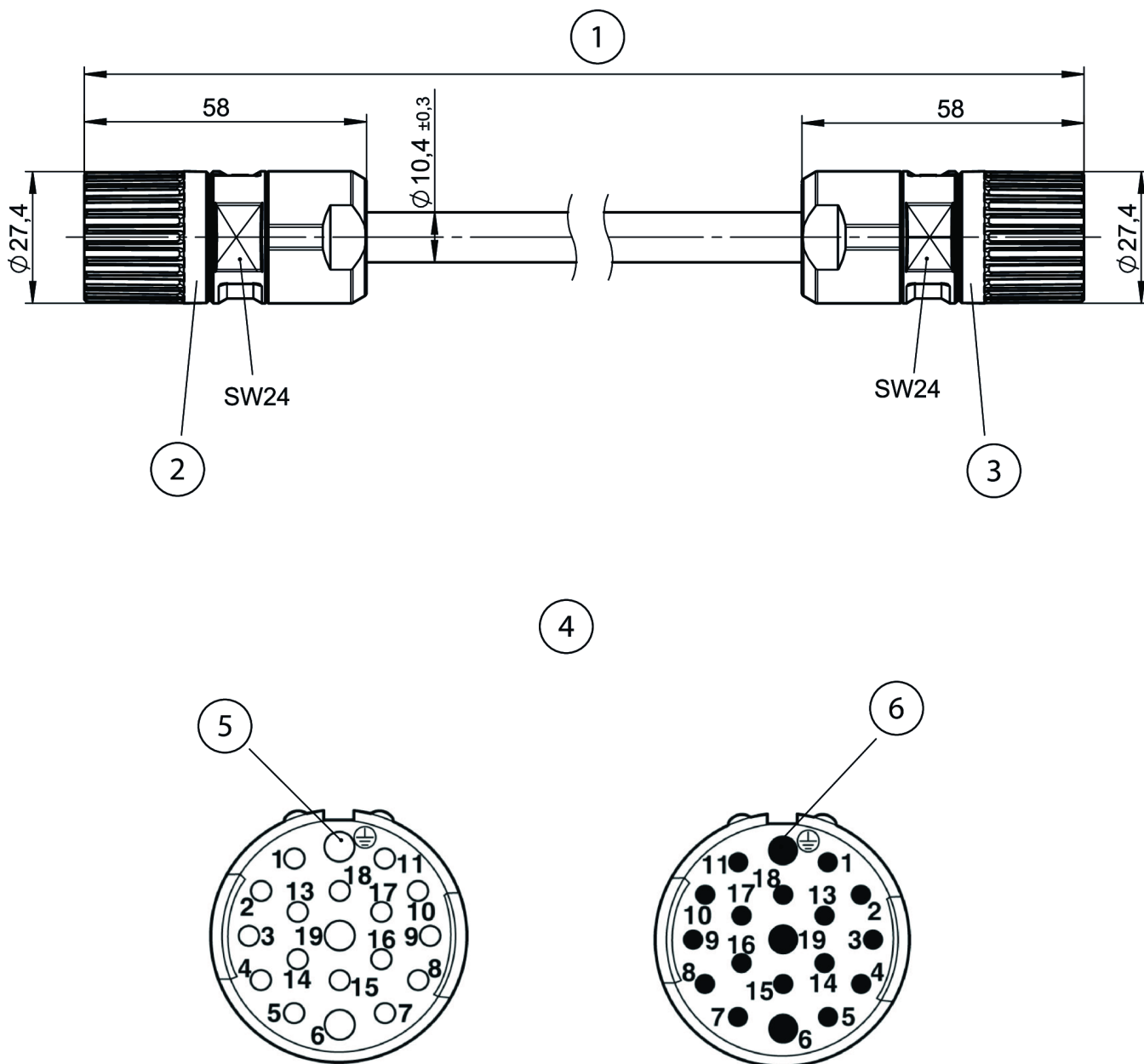
- ▶ M23 female plug, 18-pin + PE
- ▶ M23 male plug, 18-pin + PE
- ▶ Straight plug connector
- ▶ PUR cable
- ▶ Cable length 1.5 m



Connector assignment

Plug connector (view of connection side)	Pin	Cross-section	Conductor coloring
	1	0.5 mm ²	VT
	2	0.5 mm ²	RD
	3	0.5 mm ²	GY
	4	0.5 mm ²	RDBU
	5	0.5 mm ²	GN
	6	1.0 mm ²	BU
	7	0.5 mm ²	GYPK
	8	0.5 mm ²	GNWH
	9	0.5 mm ²	YEWB
	10	0.5 mm ²	GYWB
	11	0.5 mm ²	BK
	12	1.0 mm ²	GNYE
	13	0.5 mm ²	PK
	14	0.5 mm ²	BNGY
	15	0.5 mm ²	BNYE
	16	0.5 mm ²	BNGN
	17	0.5 mm ²	WH
	18	0.5 mm ²	YE
	19	1.0 mm ²	BN

Dimensional drawings



- 1 Cable length
- 2 Female plug with union nut, M23, 19-pin
- 3 Male plug with union nut, M23, 19-pin
- 4 Terminal assignment as seen from the connection side
- 5 Female plug, 12 (PE with shield spring)
- 6 Male plug, 12 (PE with shield spring)