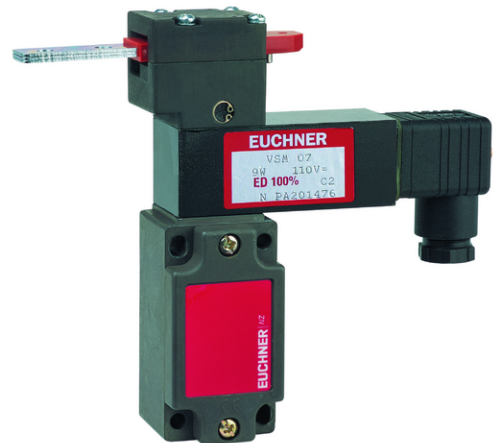


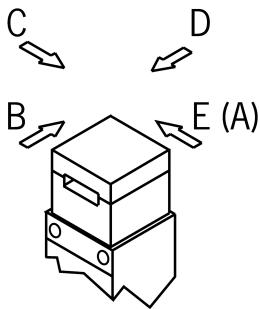
NZ1VZ-528E3VSM07-M (Order no. 082129)

Safety switch NZ.VZ.VSM, cable entry M20 x 1.5

- ▶ Cable entry M20 x 1.5
- ▶ 1 pos. driven contact
- ▶ 1 NO contacts
- ▶ Guard locking for process protection
- ▶ Closed-circuit current principle



Approach direction



Horizontal

Actuating head and solenoid can each be adjusted in 90° steps

Guard locking principle

Power to unlock: On a guard with guard locking based on the closed-circuit current principle, the guard is locked by spring force until the guard locking solenoid is supplied with power. Unlocking is by solenoid force. The term mechanical guard locking is also used.

Switching element

528H Slow-action switching contact 1 positively driven contact $\ominus \rightarrow$ + 1 NO contact

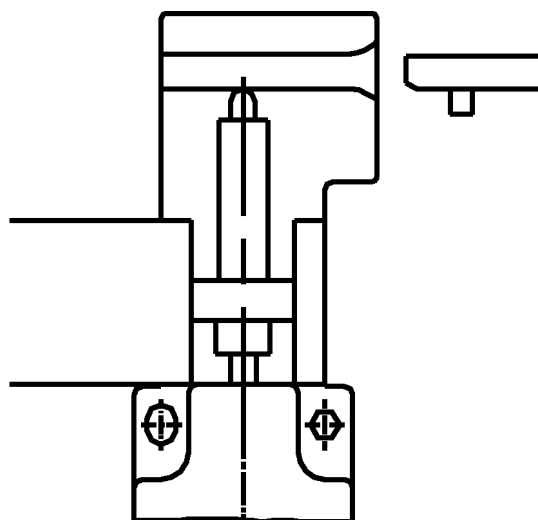
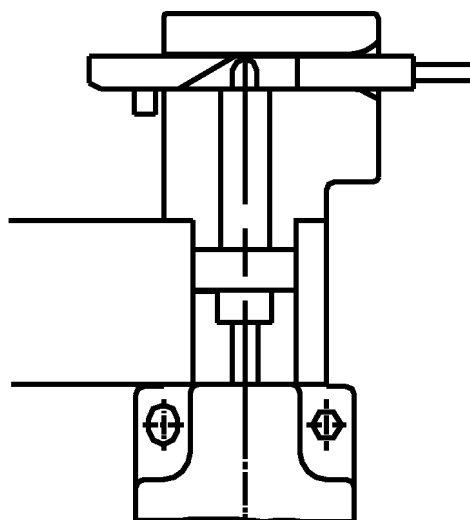
Guard locking for process protection

The safety switch meets the requirements for interlocking devices with guard locking for process protection. It does not possess safe guard lock monitoring.

Accessories required

Actuator and solenoid plug are not included.

Functional drawings



511
528

