

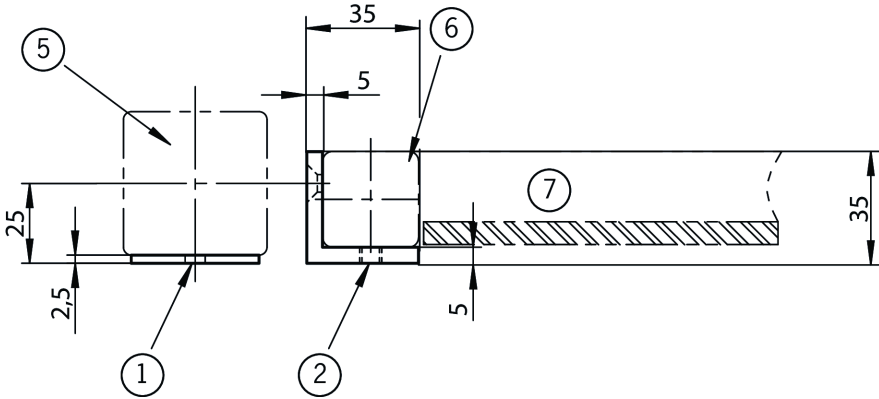
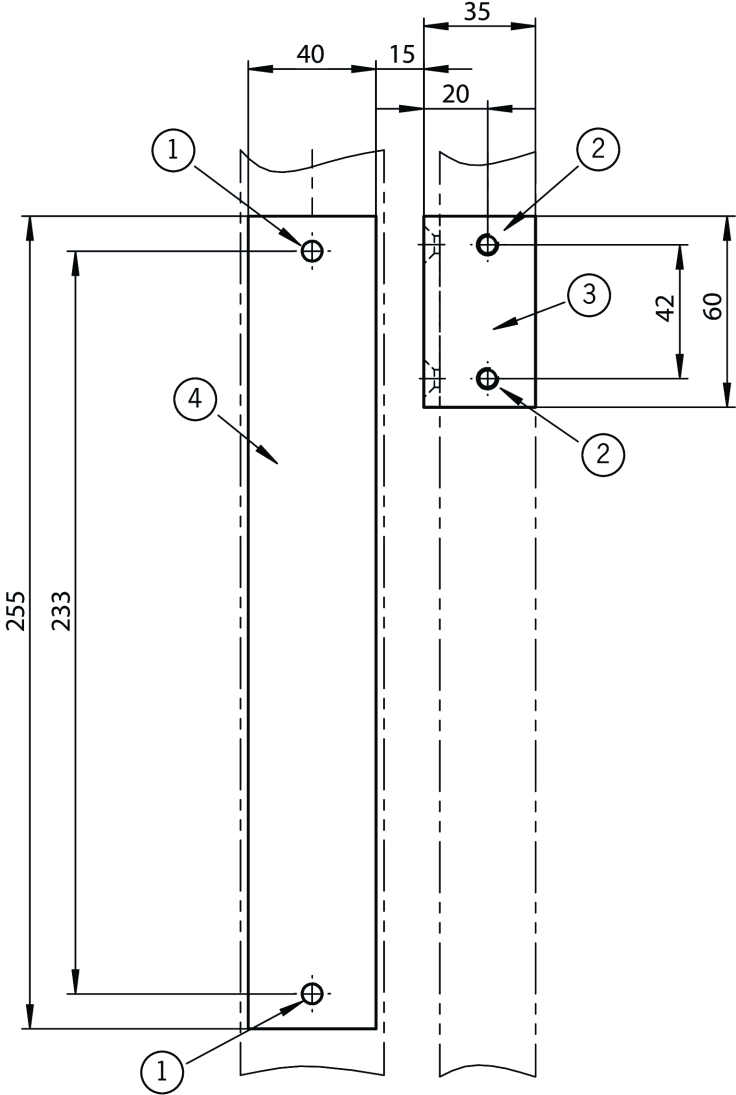
ADAPTER NZ/TZ 45/30 (Order no. 079033)

Adapter NZ/TZ 45/30

- ▶ The adapter NZ/TZ 45/30 is used to compensate for different profiles, doors/frame 45/30



Dimensional drawings



- 1 Bore for screw M6
- 2 Thread for screw M6
- 3 Adapter angle
- 4 Adapter plate
- 5 Safety guard frame (45x45)

6 Door frame (30x30)

7 Door hinged on the right