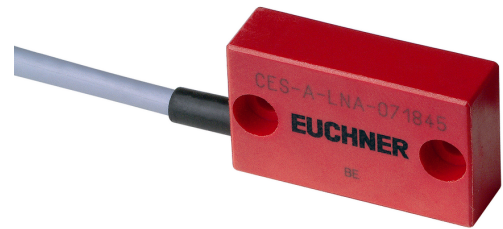


CES-A-LNA-05P-077806 (Order no. 077806)

Read head CES-A-LNA..., hard-wired encapsulated cable 5 m, PUR

- ▶ Cube-shaped design 42 x 25 mm
- ▶ Hard-wired encapsulated cable made of PUR
- ▶ Cable length 5 m
- ▶ Two safety screws M4x14 included



Combination options

Suitable for connection to a CES-AZ evaluation unit

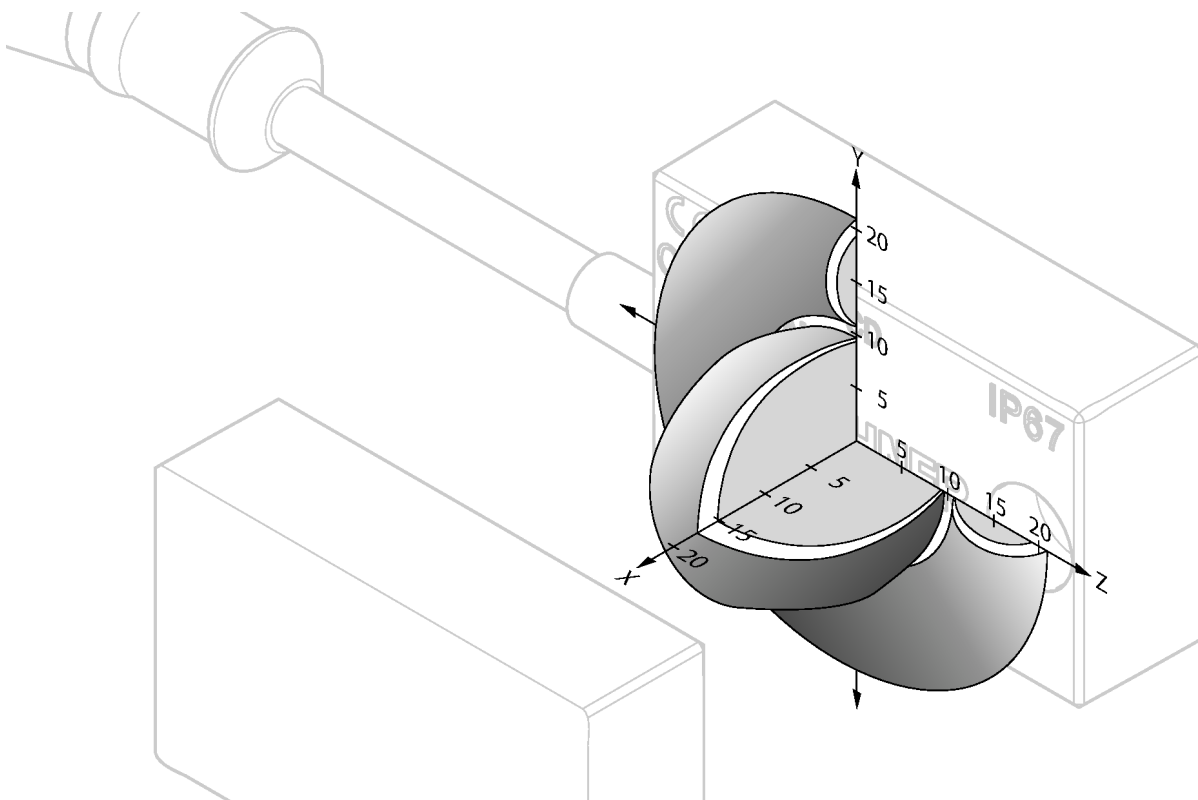
Housing material

Fortron, reinforced thermoplastic, fully encapsulated.

Attention: The actuating range may vary depending on the substrate material and installation situation.

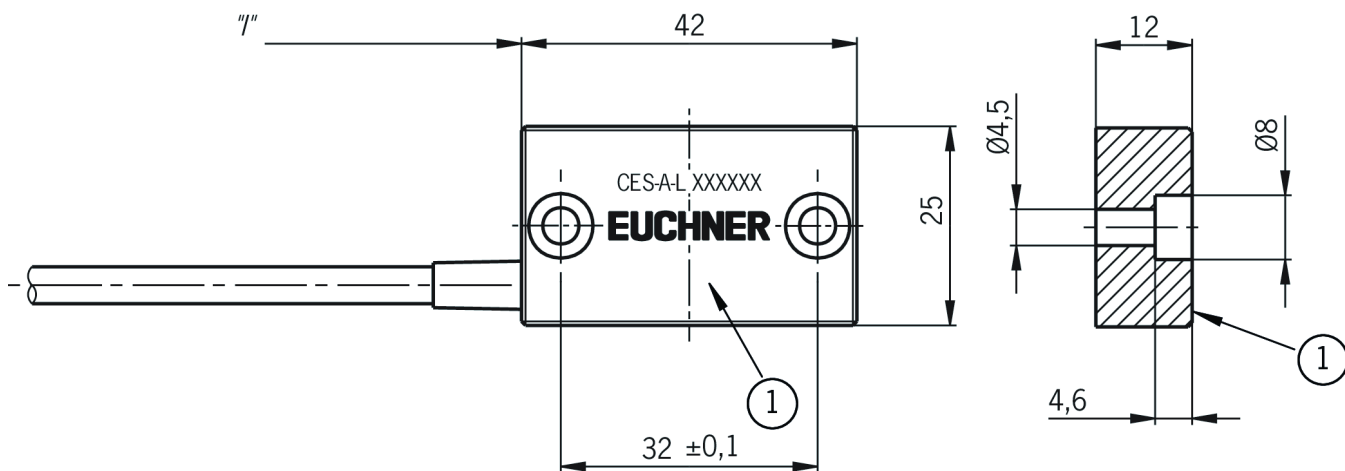
Important: Actuators must be ordered separately!

Typical operating distance



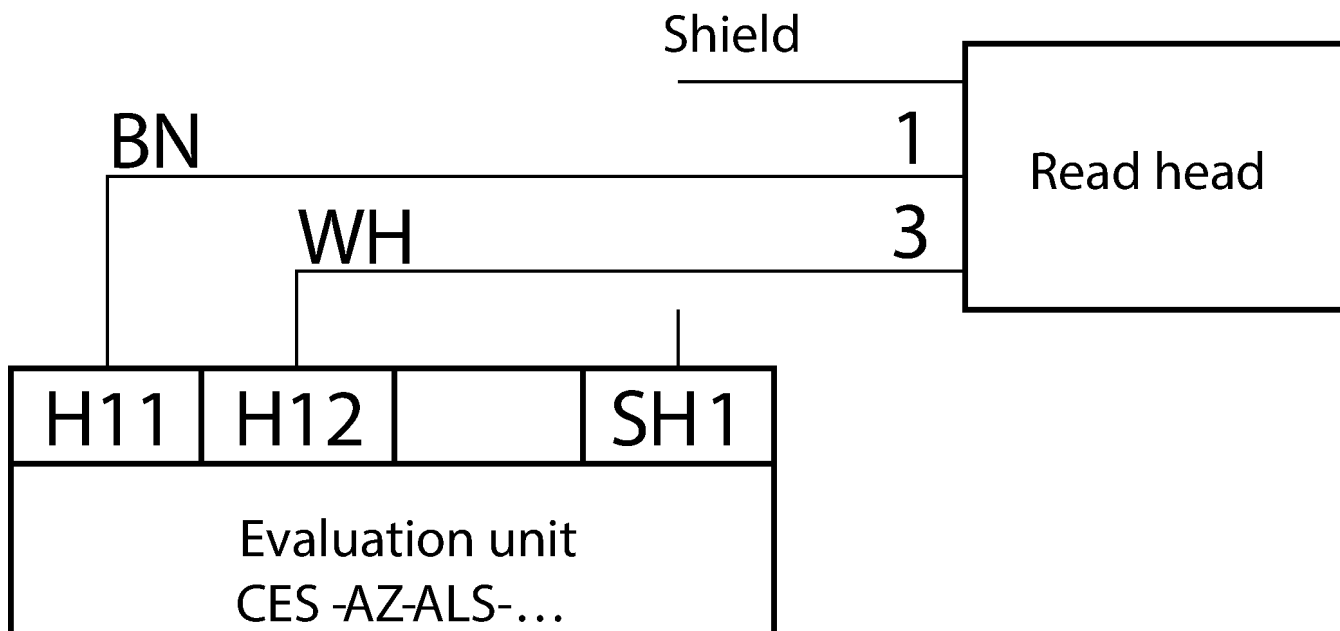
For a side approach direction for the actuator and read head, a minimum distance of $s = 3$ mm must be maintained so that the actuating range of the side lobes is not entered.

Dimensional drawings



1 Active face

Connection examples



Technical data

Approvals



Electrical connection values

Connecting cable	PUR (suitable for drag chain), length 5m, Ø 4.1...5.3 mm, with crimped ferrules
Power supply	Via evaluation unit

Mechanical values and environment

Connection type	hard-wired encapsulated connecting cable	
Tightening torque	Fixing screws	max. 1 Nm
Installation orientation	any	
Storage temperature	-25 ... 70 °C	
Cable length	maximum allowed	max. 25 m
Degree of protection	IP67/IP69K	
Cable ambient temperature (dynamic)	-5 ... 70 °C	
Cable ambient temperature (static)	-25 ... 70 °C	
Material	Housing	Reinforced thermoplastic (PPS), fully encapsulated
Method of operation	inductive	