

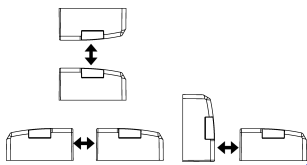
## CES-AP-CL2-CH-L20-106194 (Order no. 106194)

### Safety switch CES-AP-CL2-..., RFID, connection cable, connecting cable PVC

- ▶ Multicode
- ▶ Monitoring output door position OUT
- ▶ Connection cable, connecting cable PVC, 20 m, flying lead, 6-core
- ▶ Suitable for low ambient temperatures
- ▶ Door hinge left



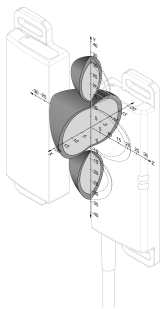
### Approach direction and installation position



Permissible installation position

### Typical operating distance

(Actuator CES-A-BLN... in conjunction with safety switch CES-AP-C.2-... in case of mounting on plastic)



For a side approach direction for the actuator and safety switch, a minimum distance of  $s = 6 \text{ mm}$  must be maintained so that the actuating range of the side lobes is not entered.

#### Attention:

The actuating range may vary depending on the actuator, substrate material and installation situation. Further actuating ranges can be found in the operating instructions.

### Multicode evaluation

The system checks whether the actuator type is one that can be recognized by the system (multicode evaluation). The system has a low coding level. Every suitable actuator is recognized by the switch.

### Safety characteristics

Thanks to two redundant safety outputs (semiconductor outputs) with internal monitoring, the device is suitable for:

- ▶ Category 4 /PL e according to EN 13849-1
- ▶ SIL 3 according to EN IEC 62061 Table 4

The OSSD outputs used check their function for short circuits and short circuits with test pulses.

## LED indicator

STATE Status LED

DIA Diagnostics LED

## Terminal assignment

Designation	Function	Connecting cable conductor coloring
UB	Electronics operating voltage, 24 V DC	BN
OA	Safety output, channel A	WH
0 V	Weight 0 V DC	BU
OB	Safety output, channel B	BK
OUT	Monitoring output	GY
-	n.c.	PK

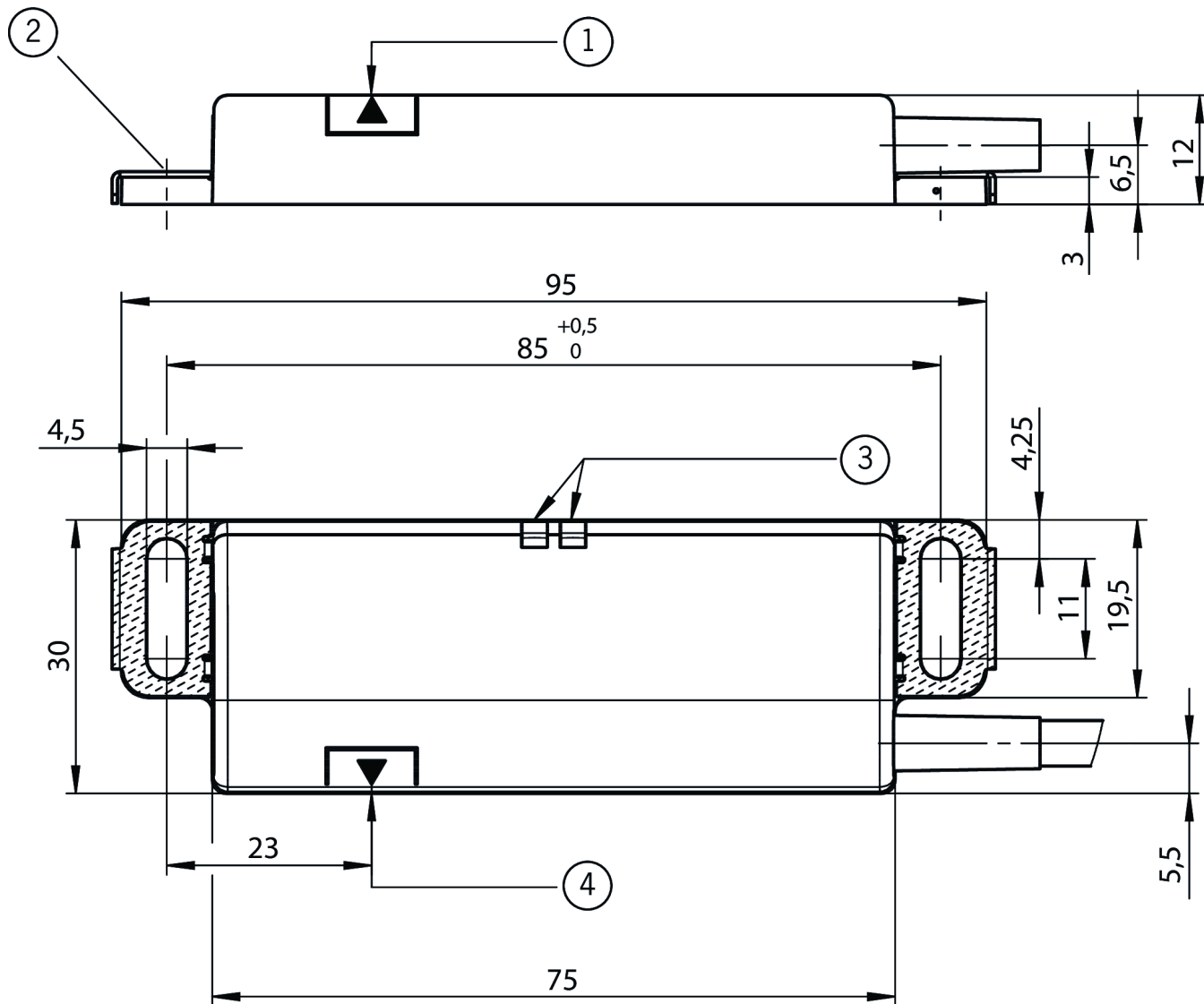
## Scope of delivery

- ▶ 2 x safety screws M4x14

## Accessories required

Actuator is not included.

## Dimensional drawings



- 1 Active face
- 2 Fastening lug with reinforcement plate
- 3 LED status indication
- 4 Active face