

## NG1RL-510-M (Order no. 086324)

### Position switch NG.RL, extended roller plunger

- ▶ Plunger actuator RL (extended roller plunger)
- ▶ Cable entry M20 x 1.5



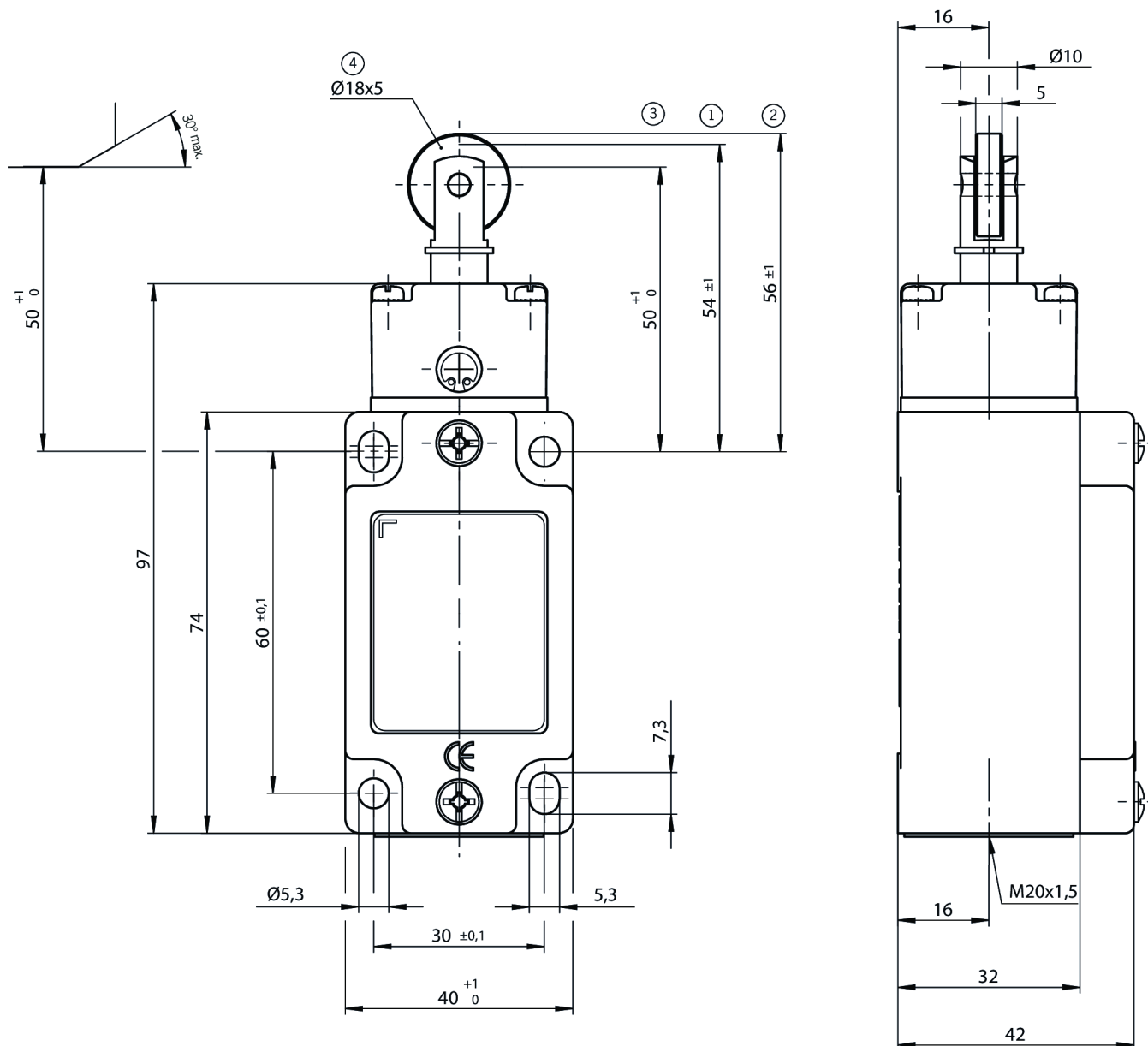
### Switching element

510 Snap-action switching contact 1 NC + 1 NO

### Adjustment options

Horizontal 4 x 90°

## Dimensional drawings



- 1 Operating point
- 2 Free position
- 3 End position
- 4 Steel roller

Connection examples

