

GSBF04D16-502-M (Order no. 085927)

Series GSBF... 16 mm, mechanical

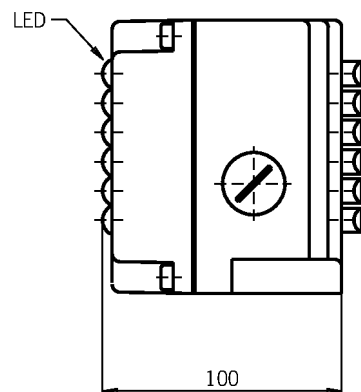
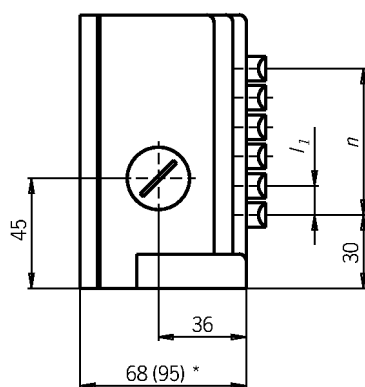
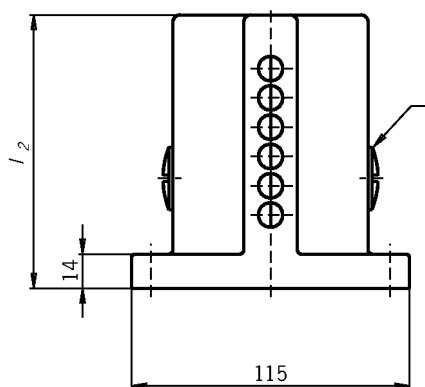
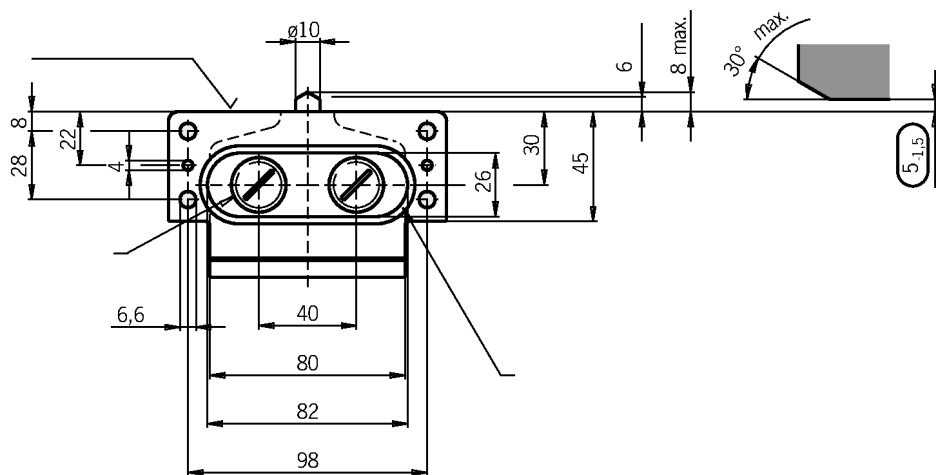
- ▶ Plunger spacing 16 mm
- ▶ Upright housing
- ▶ Degree of protection IP67 according to IEC 60529



Switching element

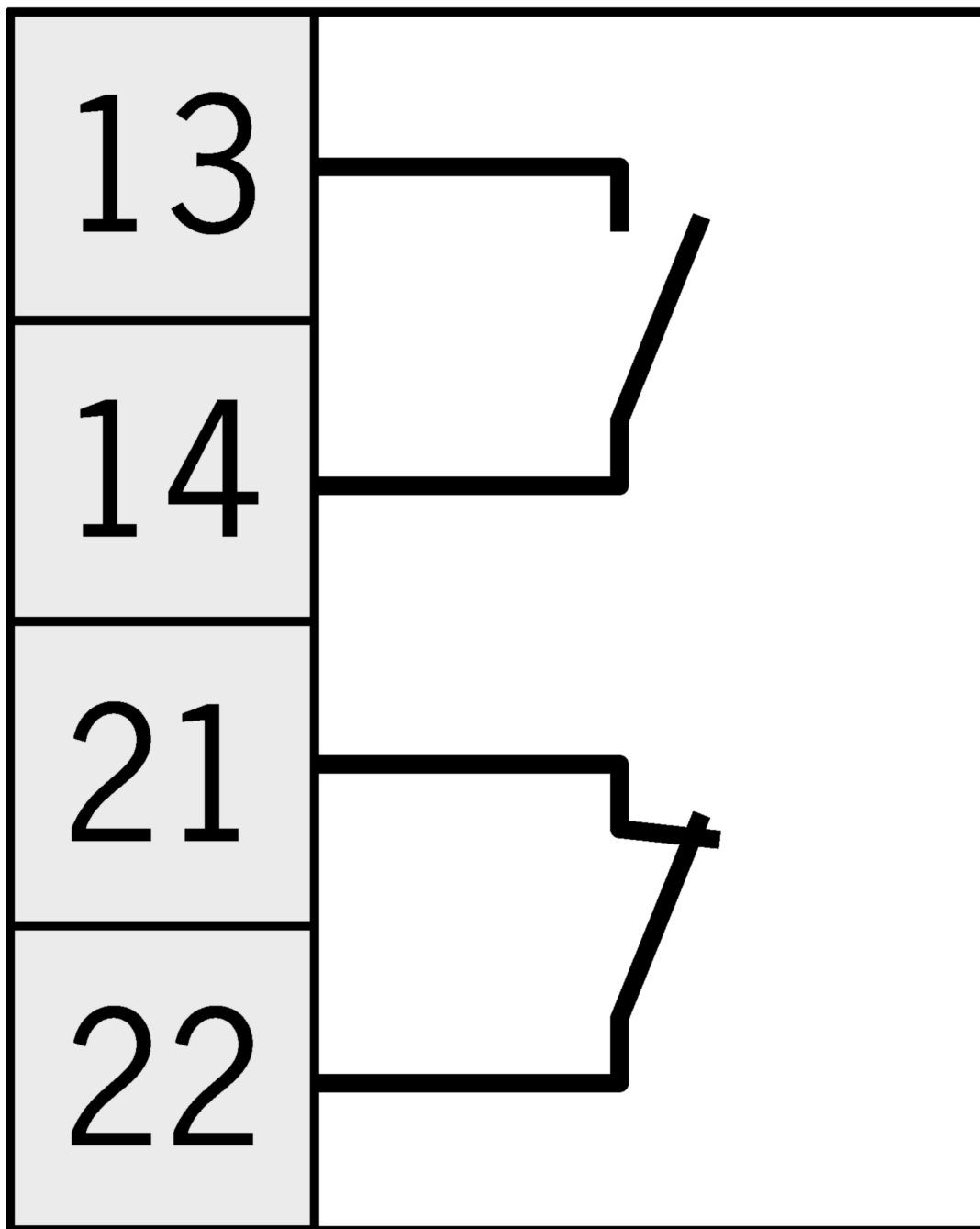
ES 502 E Snap-action switching contact 1 NC + 1 NO

Dimensional drawings



Connection examples

ES 502 E



Technical data

Approvals



Electrical connection values

Fuse	max. 8 A gG	
Connection cross section	0.34 ... 1.5 mm ²	
Rated insulation voltage U _i	250 V	
Rated impulse voltage U _{imp}	2.5 kV	
Utilization category		
	AC-15	6 A 230 V
	AC-12	8 A 250 V
	DC-13	6 A 24 V
Switching current		
	min. at DC 12V	min. 10 mA
thermal rated current I _{th}	8 A	

Mechanical values and environment

Anfahrsgeschwindigkeit	0.01 ... 40 m/min	
Connection type		
	4 x	M25 x 1.5
Number NC contacts	4	
Number of switching elements	4	
Number of NO contacts	4	
Design	upright	
Actuating element	Chisel plunger (Operating point accuracy ± 0.002. The reproducible operating point accuracy refers to the axial travel of the plunger after the switching element ES 502 E has been run-in with approx. 2,000 operating cycles.)	
Actuating force	min. 20 N	
Installation orientation	any	