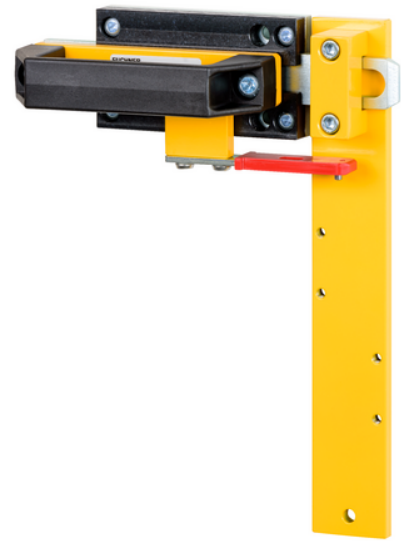


## RIEGEL NZ-CF (Order no. 078452)

### Bolt with escape release for safety switch NZ.VZ

- ▶ Bolt for safety switch NZ.VZ with escape release
- ▶ Steel bolt
- ▶ For doors hinged on the left
- ▶ Escape release
- ▶ Detent knob in open position
- ▶ Suitable for a door gap of approx. 15 mm



### Scope of delivery

- ▶ Bolt parts
- ▶ Actuator
- ▶ Switch bracket

### To be ordered separately:

- ▶ Safety switch

### Latching in open position

Latching in the open position is intended to prevent persons from trapping themselves in a machine from the inside. The bolt slider is latched in the detent position. Unlock by pulling the detent knob upward.

### Escape release

Bolts with escape release feature an escape lever enabling the bolt to be opened from inside a guard.

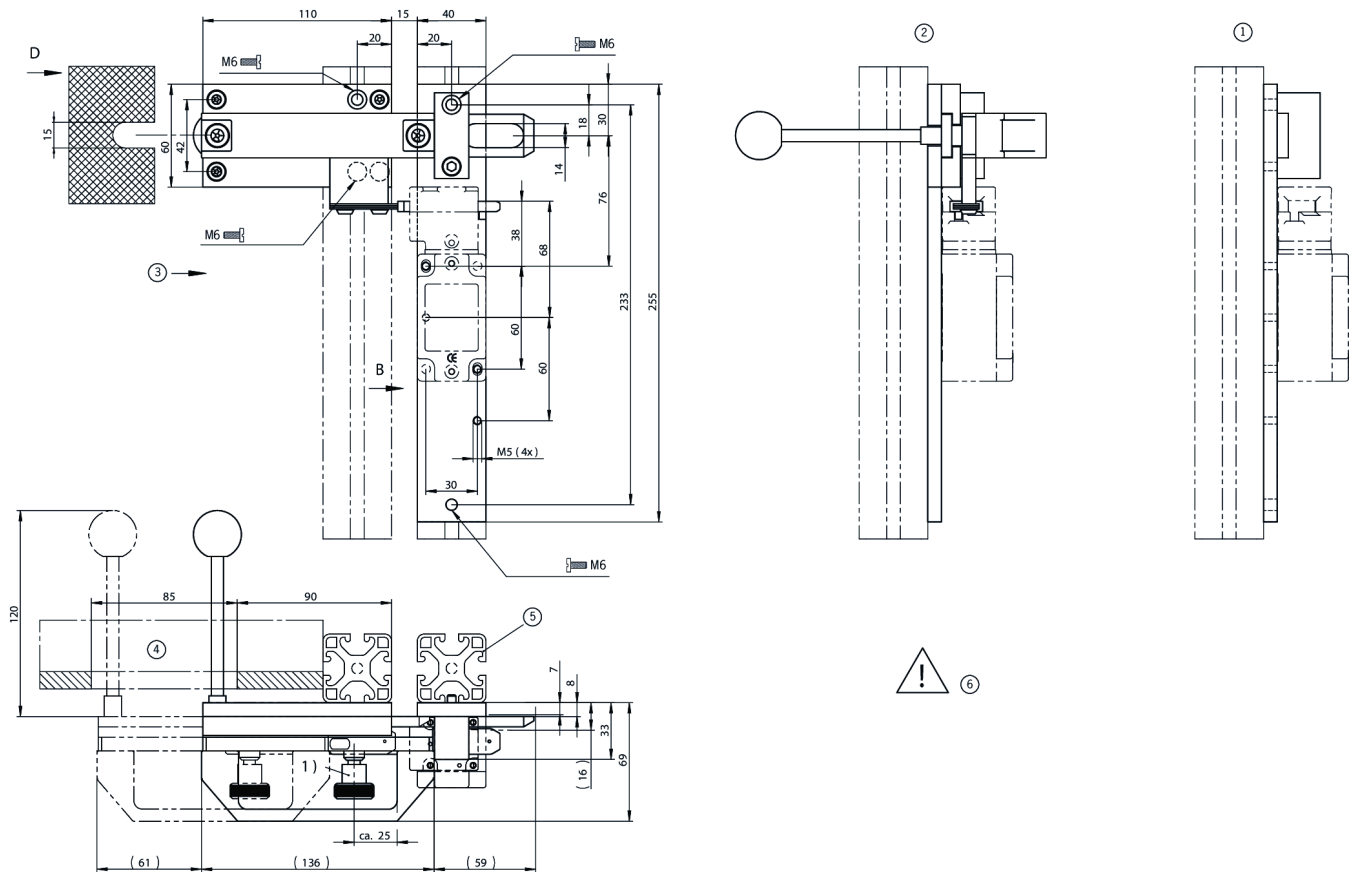
### Door types and door hinges

Suitable for hinged and sliding doors. Suitable for doors hinged on the left. With door stop, door cannot be opened inwards.

### Integrated lockout bar

With the aid of the integrated lockout bar, the bolt can be secured in the open position, e.g. using padlocks. It is possible to prevent people from being locked in the danger area unintentionally.

## Dimensional drawings



1 View B

- 1) Bolt with detent mechanism. Engages in open position. (Prevents unintentional closing of the bolt)  
 1) Unlocked by pulling the detent knob upward.

2 View D

3 Safety switch NZ approach direction A

4 Door hinged on the left

5 Safety guard frame (40x40)

- 6 On the actuation of the escape release for the switch, the actuator must not be subjected to a tensile load (e.g. due to strain on the doors or pulling the lever for the bolt)

## Technical data

### Mechanical values and environment

Approach direction	C
Number of safety switches that can be mounted	1
Escape release	Yes
Storage temperature	-25 ... 70 °C
Material	
Guide strips	Plastic
Handle	Plastic
Switch bracket	Steel powder-coated
Base plate	Galvanized steel

### Miscellaneous

Detent mechanism open position	Bolt detent mechanism
--------------------------------	-----------------------