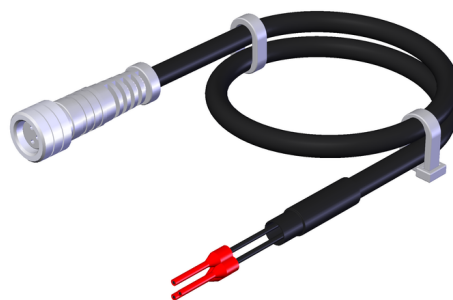


## C-M08F03-02X025PU10,0-ES-084763 (Order no. 084763)

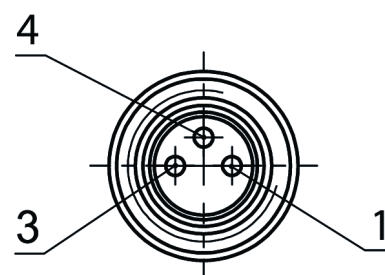
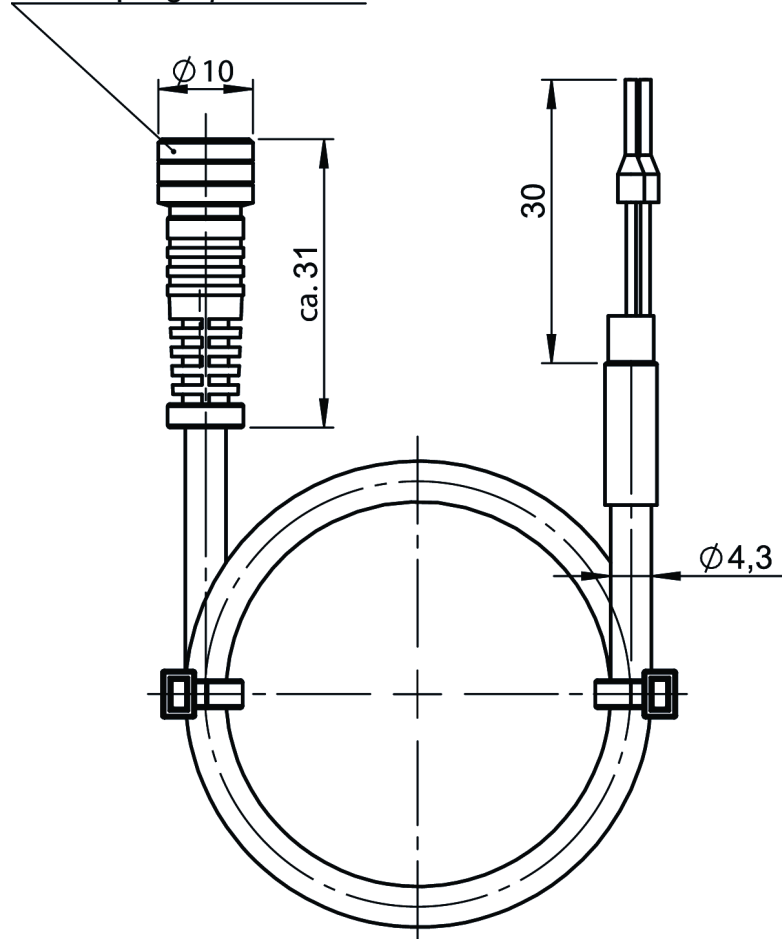
### Connecting cable with plug connector M8, 3-pin, 10 m

- ▶ M8 female plug, 3-pin
- ▶ Straight plug connector
- ▶ PUR cable
- ▶ Cable length 10 m
- ▶ With flying lead



### Dimensional drawings

M8 - 3 polig / pin



1 = BN = H1  
 3 = WH = H2  
 4 = Schirm / shield

## Technical data

### Approvals



### Electrical connection values

Rated voltage	DC	60 V
Rated impulse voltage $U_{imp}$		1.5 kV
Nominal current	at 25 °C	4 A
Test voltage	Wire	0.5 kV
Cable shielding		Yes (Coverage 85%)
specific inductance		0.45 mH/km
specific capacitance		60 nF/km
specific capacitance		120 nF/km
specific conductor resistance	at 20 °C	78 $\Omega$ /km
Degree of contamination according to EN 60664-1		3

### Mechanical values and environment

Conductor identification	Color code
Conductor cross-section	0.25 mm <sup>2</sup>
Number of conductors	2
Tightening torque	0.4 Nm
Dynamic bending radius	7.5x cable diameter
Static bending radius	5x cable diameter
Fire behavior	flame retardant according to DIN EN 60332-2-1 and VDE 0482-332-2-1

Halogen-free	Yes
Storage temperature	-25 ... 80 °C
Cable type	straight
Cable diameter	
	approx. 4.3 mm
Cable length	10 m
Sheath color	black
Resistance to media	largely resistant to greases, cooling fluids and lubricants. Oil-resistant according to DIN VDE 0473 part 811.
Drag chain suitability	Yes
Cable ambient temperature (dynamic)	-25 ... 70 °C
Cable ambient temperature (static)	-25 ... 80 °C
Material	
Conductor insulation	TPE-V
Conductor	Cu flexible wire bare
Sheath	PUR
<b>Connection 2</b>	
Conductor end	Cable end sleeve
Connection type	flying lead
<b>Connection 1</b>	
Connection type	Plug connector M8x1
Connection type	Female plug
Plug connector designation	M8x1
Insulating material group	II
Cable outlet	straight
Number of pins	3
Degree of protection	IP67
Plug lock	Screw connection
Insertion cycles	100
Material	
Plug lock	CuZn, nickel plated
Plug housing	PUR