

NZ1PS-3131-M (Order no. 090877)

Safety switch NZ.PS, adjustable lever arm with steel roller, cable entry M20 x 1.5

- ▶ Lever arm, steel roller \varnothing 18 mm
- ▶ Cable entry M20 x 1.5
- ▶ 2 pos. driven contact
- ▶ 2 NO contacts



Approach direction



Horizontal

Can be adjusted in 90° steps

Switching direction adjustable

Right, left or both sides

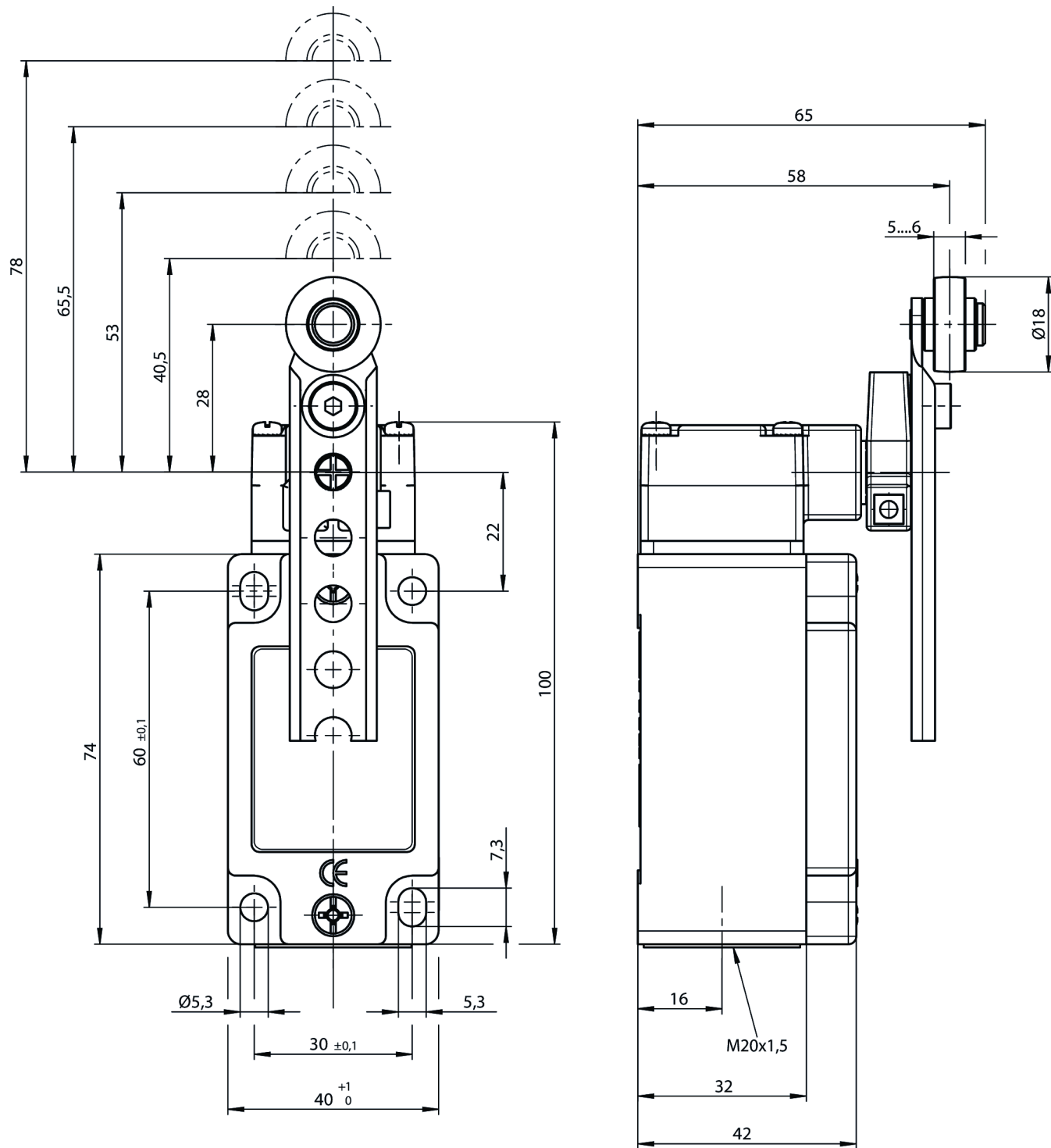
Lever arm adjustment

Lever arm length can be adjusted from 28 mm to 78 mm in steps of 12.5 mm.

Switching element

3131H Slow-action switching contact 2 positively driven contacts $\ominus \rightarrow$ + 2 NO contact

Dimensional drawings



Connection examples

