

Project : _____
 Type : _____
 Drawn by : _____
 Catalogue No. : _____
 Date : _____



Specifications

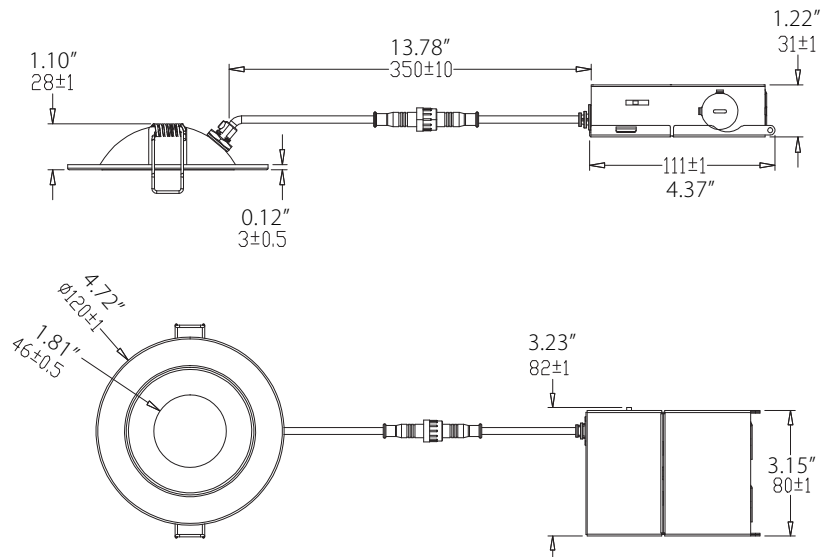
Model No.		<input type="checkbox"/> DL4-148-9WH5CS	<input type="checkbox"/> DL4-148-9BK5CS	<input type="checkbox"/> DL4-148-9BN5CS
General	Watts	9W	9W	9W
	HID Equivalent	50W	50W	50W
	Lumen	750L	750L	750L
	CCT	2700K/3000K/3500K/4000K/5000K	2700K/3000K/3500K/4000K/5000K	2700K/3000K/3500K/4000K/5000K
	Volts	120V	120V	120V
	CRI	>90	>90	>90
	Beam Angel	40°	40°	40°
	Hours Rated	50000 hours	50000 hours	50000 hours
	Min Compartment Size	Ø4.7"x1.1"	Ø4.7"x1.1"	Ø4.7"x1.1"
Electrical	Operating Frequency	50-60Hz	50-60Hz	50-60Hz
	Power Factor	>0.9	>0.9	>0.9
	Operating Position	Both Horizontal&Vertical	Both Horizontal&Vertical	Both Horizontal&Vertical
	Surge Protection	Built-in surge protection-2.5KV	Built-in surge protection-2.5KV	Built-in surge protection-2.5KV
	Operating Temperature	-20°C /-4°F to 40°C/104°F	-20°C /-4°F to 40°C/104°F	-20°C /-4°F to 40°C/104°F
Physical	MOL	2.00in	2.00in	2.00in
	MOD	0.55in	0.55in	0.55in
	Lens Material	Plastic	Plastic	Plastic
	Housing Color	White	Black	Brush Nickel
	Weight (Kg)	0.44	0.44	0.44
Additional Information	Additional Info	5 way CCT	5 way CCT	5 way CCT
	Rated For Enclosed Fixture	Yes	Yes	Yes
	Warranty	5 years	5 years	5 years
Compliance	Safety Listing	CETLus-Listed	CETLus-Listed	CETLus-Listed
	Location Rating	Wet	Wet	Wet
	Energy Star	YES	YES	YES
	DLC Approved	No	No	No
	DLC ID	No	No	No

Features & Specifications

Construction	<ul style="list-style-type: none"> • Construction: Steel with frosted lens • Multiple LED array for uniform illumination • Rotatable multi-axis gimbal ring • CCT switches are placed discretely inside the driver housing
Mounting	<ul style="list-style-type: none"> • Easy installation for remodel or new construction applications With 2700K/3000K/3500K/4000K/5000K 5CCT selectable
Performance Data	<ul style="list-style-type: none"> • Available in 2700k/3000k/3500k/4000k/5000k selectable color temperature • 90+ CRI • Electrical ratings: 120v • Estimated life of over 100 000 hours to L70 • ELV&TRIACDimming • 2.5kV surge protection (standard) • Operating temperature: -20°C /-4°F to 40°C/104°F
Compliances	<ul style="list-style-type: none"> • ETL certified for wet locations • IP20 • ES listed

Dimensions & Weights

Model	DL4-148
Diameter in.(cm)	4.72in (12)
Height in. (cm)	1.10in (2.8)
Net weight (lbs)	0.88



Product Details

