

RPS3131SC175M (Order no. 088883)

Rope pull switch with pull-to-reset button for EMERGENCY STOP device, clamping head

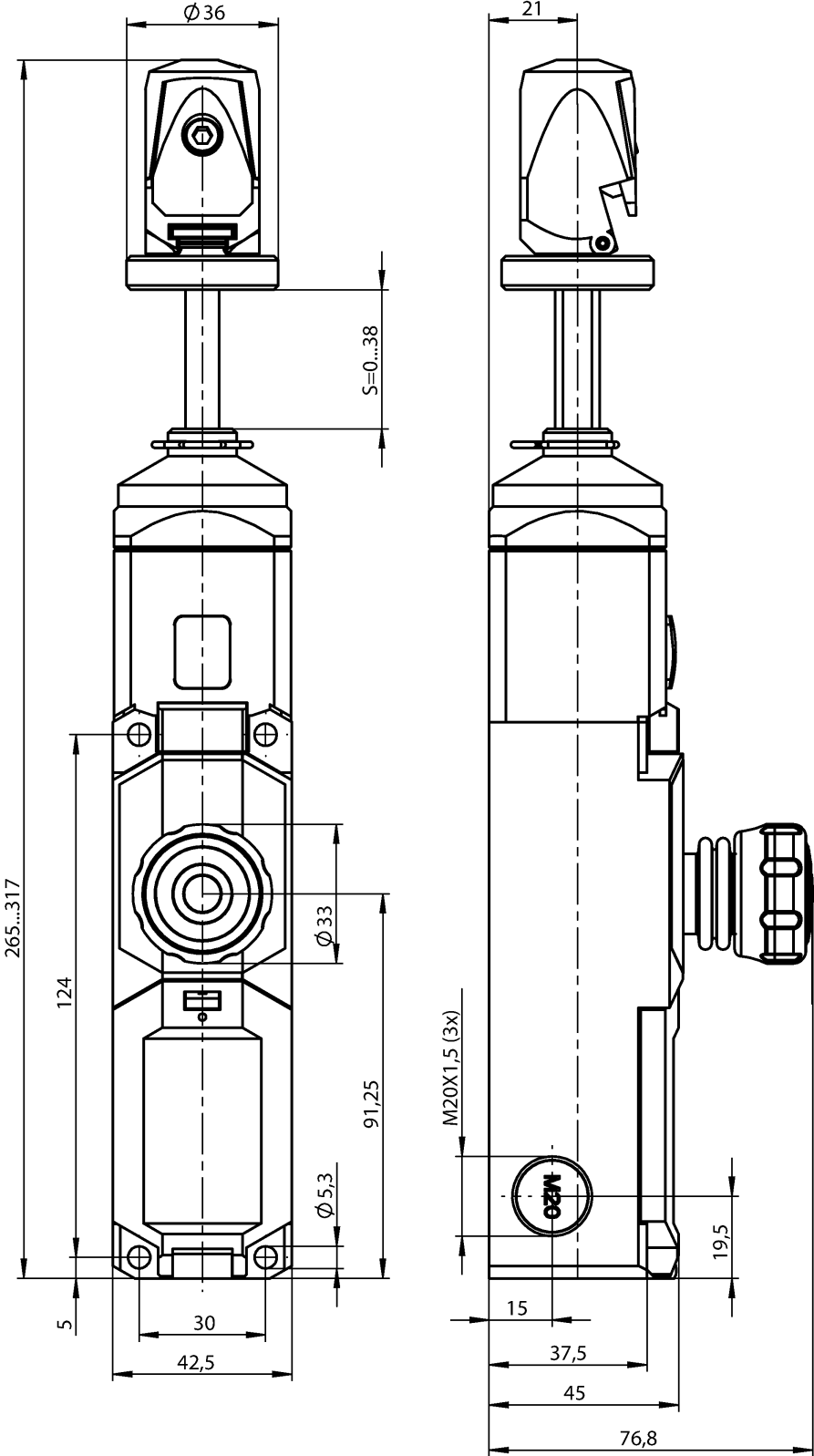
- ▶ Plastic housing
- ▶ Emergency stop device with detent mechanism as per EN ISO 13850 and EN 60947-5-5
- ▶ Clamping head for pull wire
- ▶ Indication of correct rope tension
- ▶ 3 cable entries M20 x 1.5
- ▶ Switching elements with 4 switching contacts
- ▶ Emergency stop



Switching element

3131 Slow-action switching contact 2 NC \rightarrow + 2 NO

Dimensional drawings



Connection examples

