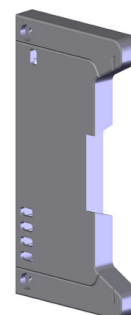


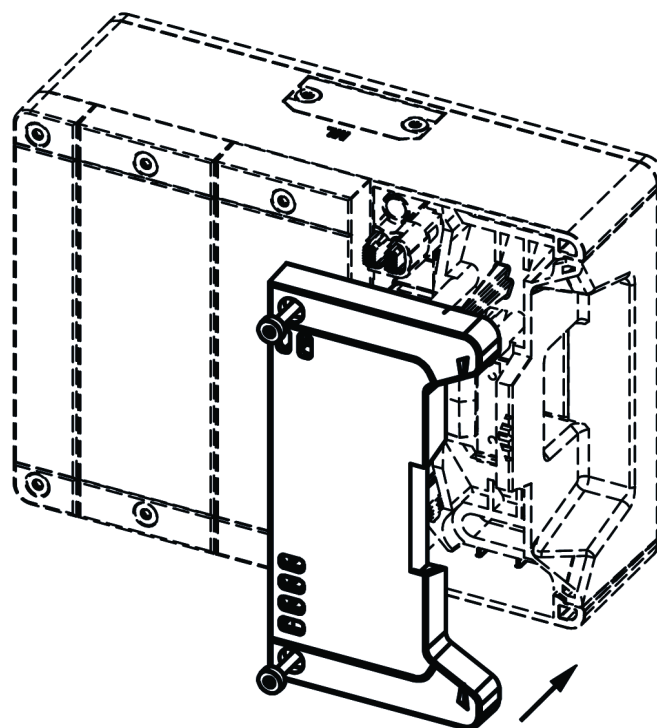
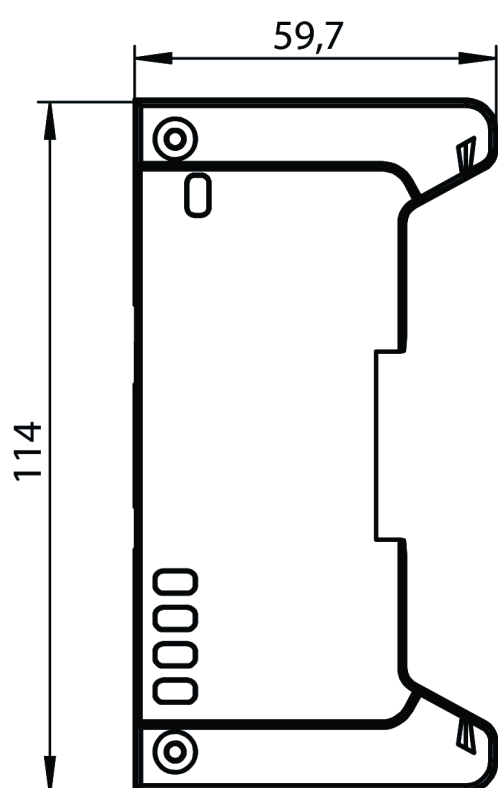
MGB2-A-C-I-BP/BR-156738 (Order no. 156738)

Cover for interlocking module MGB2-I.-BP/BR

- ▶ Cover for interlocking module MGB2-I.-BP/BR
- ▶ incl. screw set



Dimensional drawings



Technical data

Mechanical values and environment

Installation orientation	any
Storage temperature	-25 ... 70 °C
Material	Fiber glass reinforced plastic

Miscellaneous

Color	black
Compatibility	For devices MGB2-I.-BP/BR
Additional feature	incl. fixing screws