

MGB2-H-BA1A6-R-157369 (Order no. 157369)

Handle module MGB2-H... (door handle, with automatic lockout mechanism, door hinge on right)

- ▶ Intelligent bolt tongue
- ▶ Fold-out lockout mechanism
- ▶ Second automatically extending lockout mechanism
- ▶ Door handle
- ▶ Mounting plate
- ▶ Adjustable door hinge; factory setting: right



Bolt tongue

The bolt tongue is safely detected by a transponder as soon as it is inserted into the evaluation module.

Lockout mechanism (automatically extending and fold-out)

For cleaning and service on the machine, the bolt tongue can be locked with max. 3 padlocks using the fold-out lockout mechanism. In this way the operation of the handle is prevented in the locked state. Additionally, the optional lockout mechanism that extends automatically on the actuation of the handle can be used for 3 more padlocks.

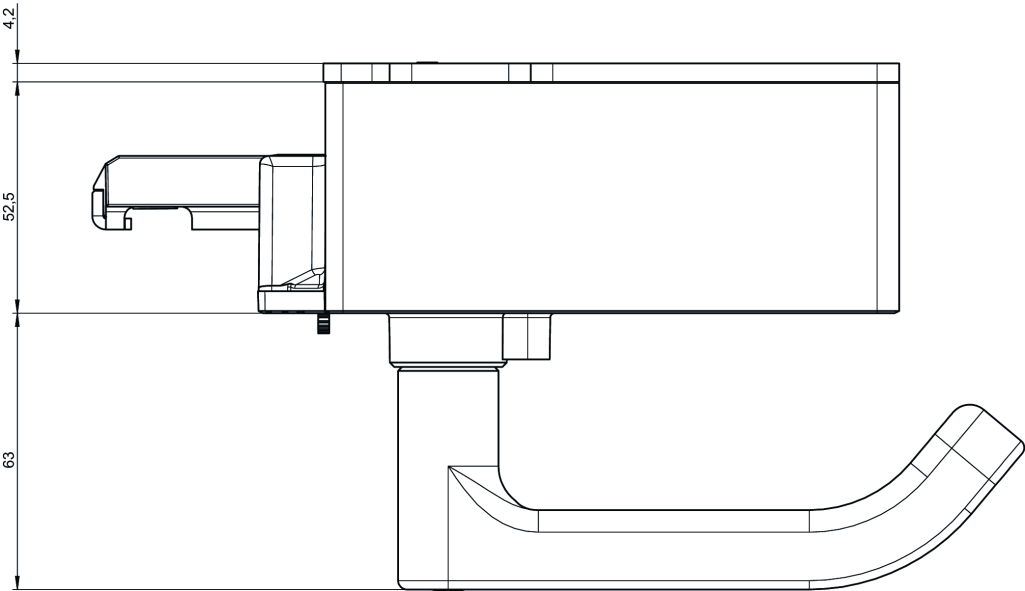
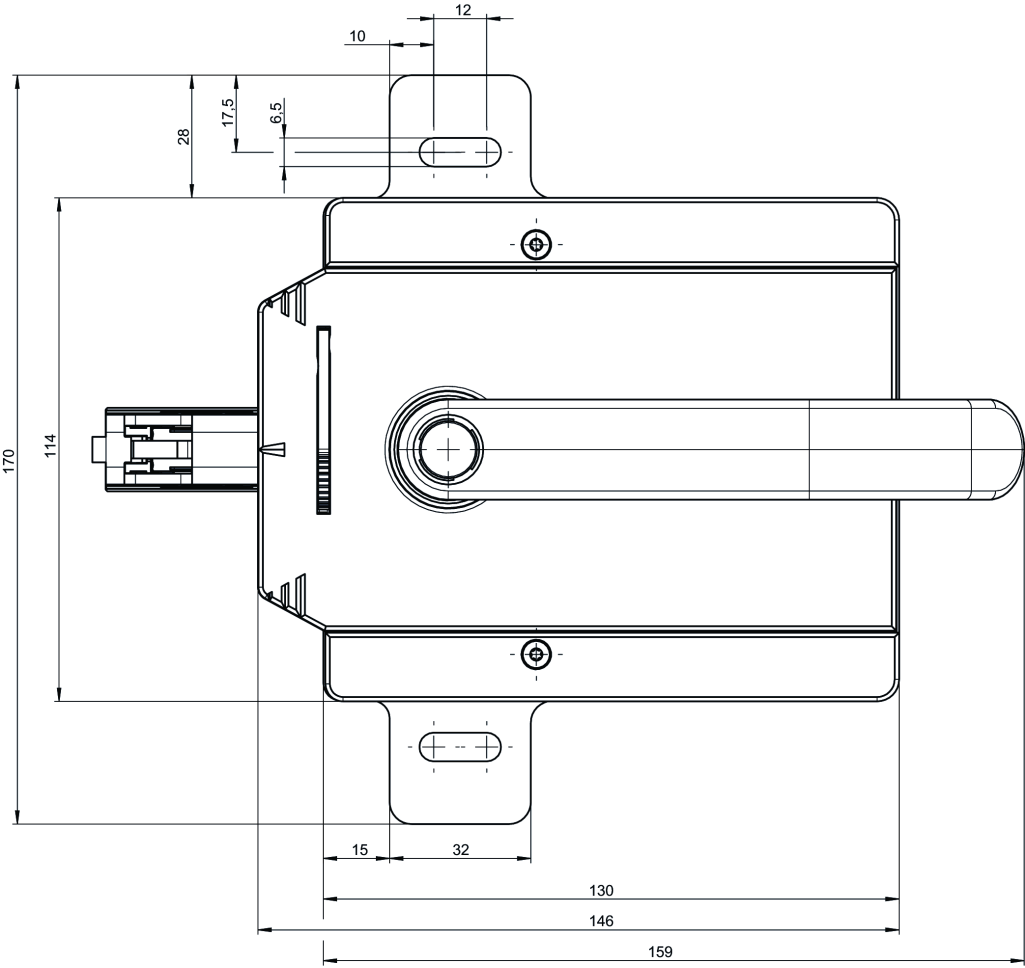
Door handle

The MGB2 has a robust door handle that can be rotated in 90° steps to suit all installations. The actuating direction can be changed very easily for doors hinged on the left or right.

Door knob

As an alternative to the door handle, the handle module can also be equipped or retrofitted with a door knob.

Dimensional drawings



Dimensional drawings

