

ZSA2-4-C2151 (Order no. 098531)

ZSA, 3-stage, built-in plug connector MR7

- ▶ Housing G1
- ▶ 3-stage function
- ▶ Plug connector MR7



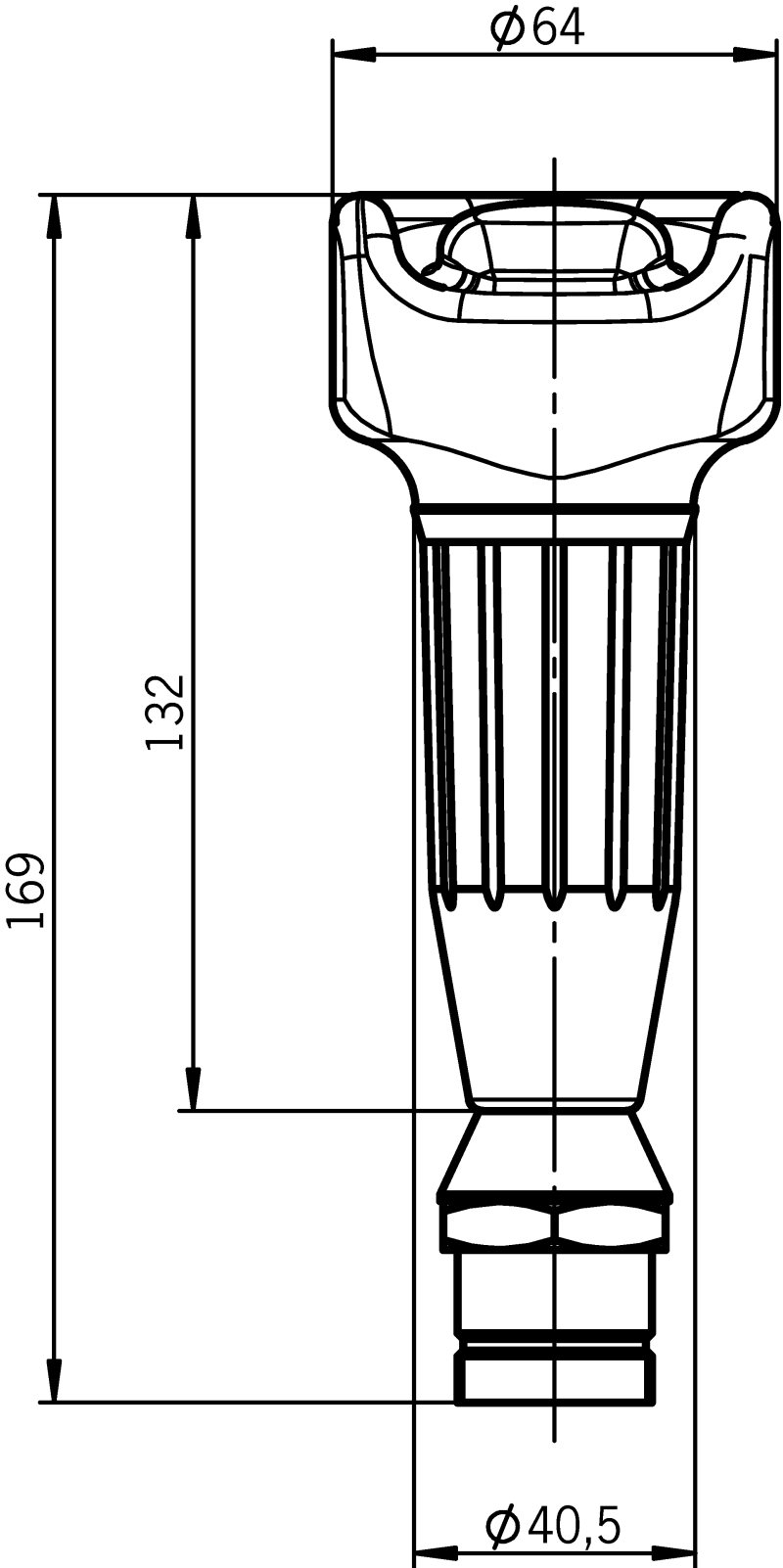
Switching element

2220 2NO/NC \rightarrow 1) Closed only in center position; one NO contact and one positively driven contact are combined internally.

3-stage function

Enabling function is active only in the second stage (center position, actuating point). If the pushbutton is released or pushed further (panic function), the enabling is removed (dependent on the wiring, see function sequence).

Dimensional drawings



Dimensional drawings

