

HKD100V100A05 (Order no. 057036)

Handwheel HKD

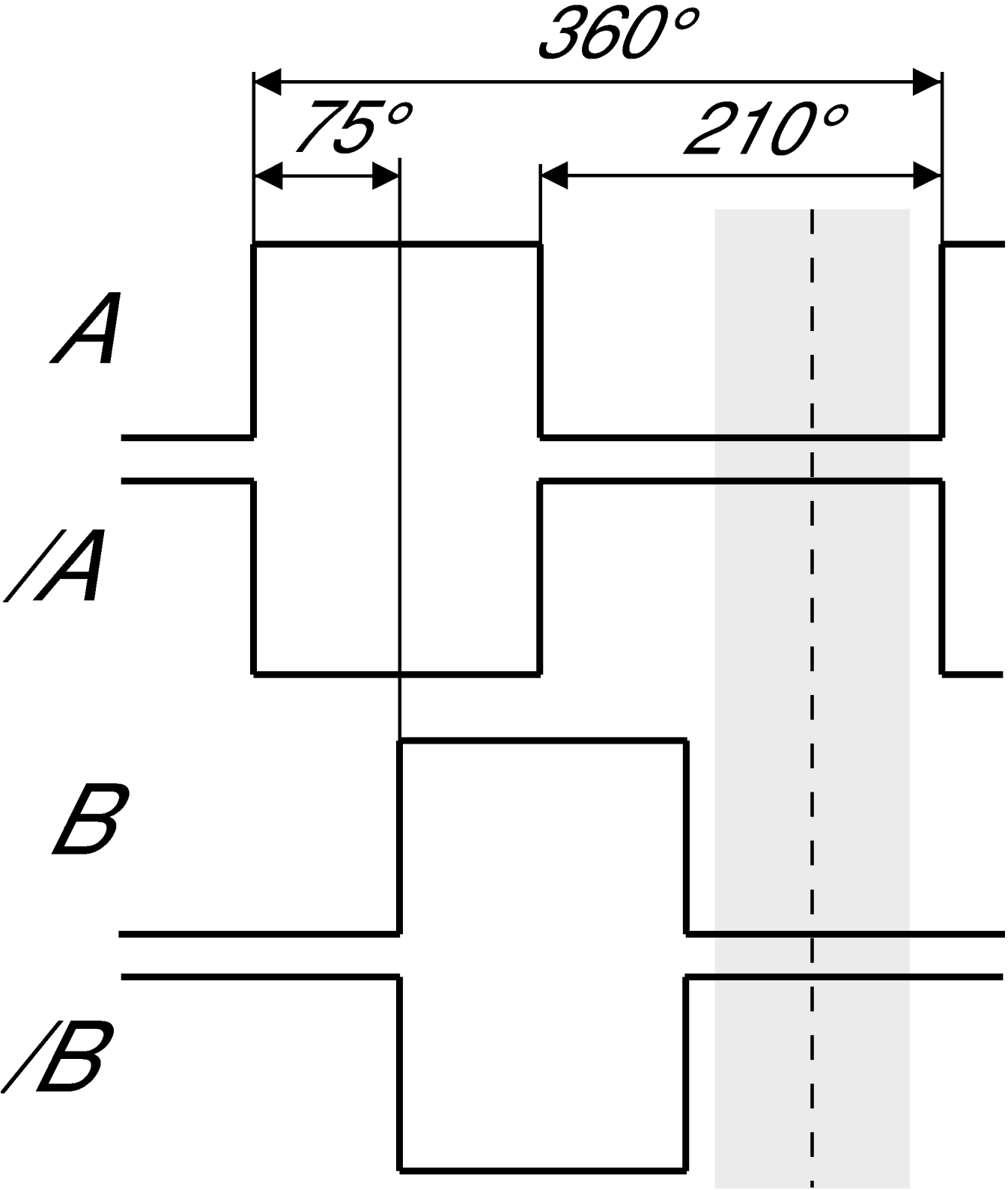
- ▶ 100 detents per revolution
- ▶ Wear-free magnetic detent mechanism
- ▶ 100 pulses per revolution
- ▶ Installation in operator panels and EUCHNER hand-held pendant stations series HBL



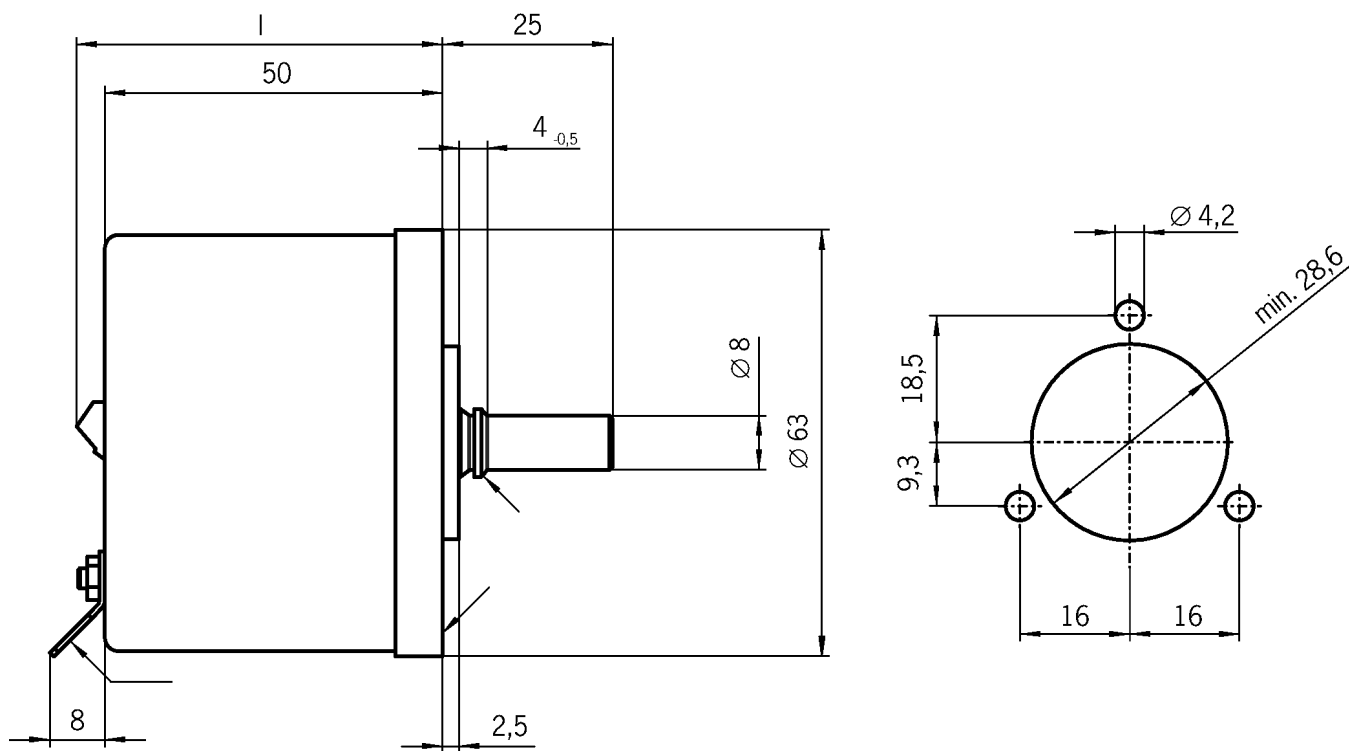
Notes

- ▶ Output A05 suitable for Siemens control systems with RS422 input

Functional drawings



Dimensional drawings



Connection examples

